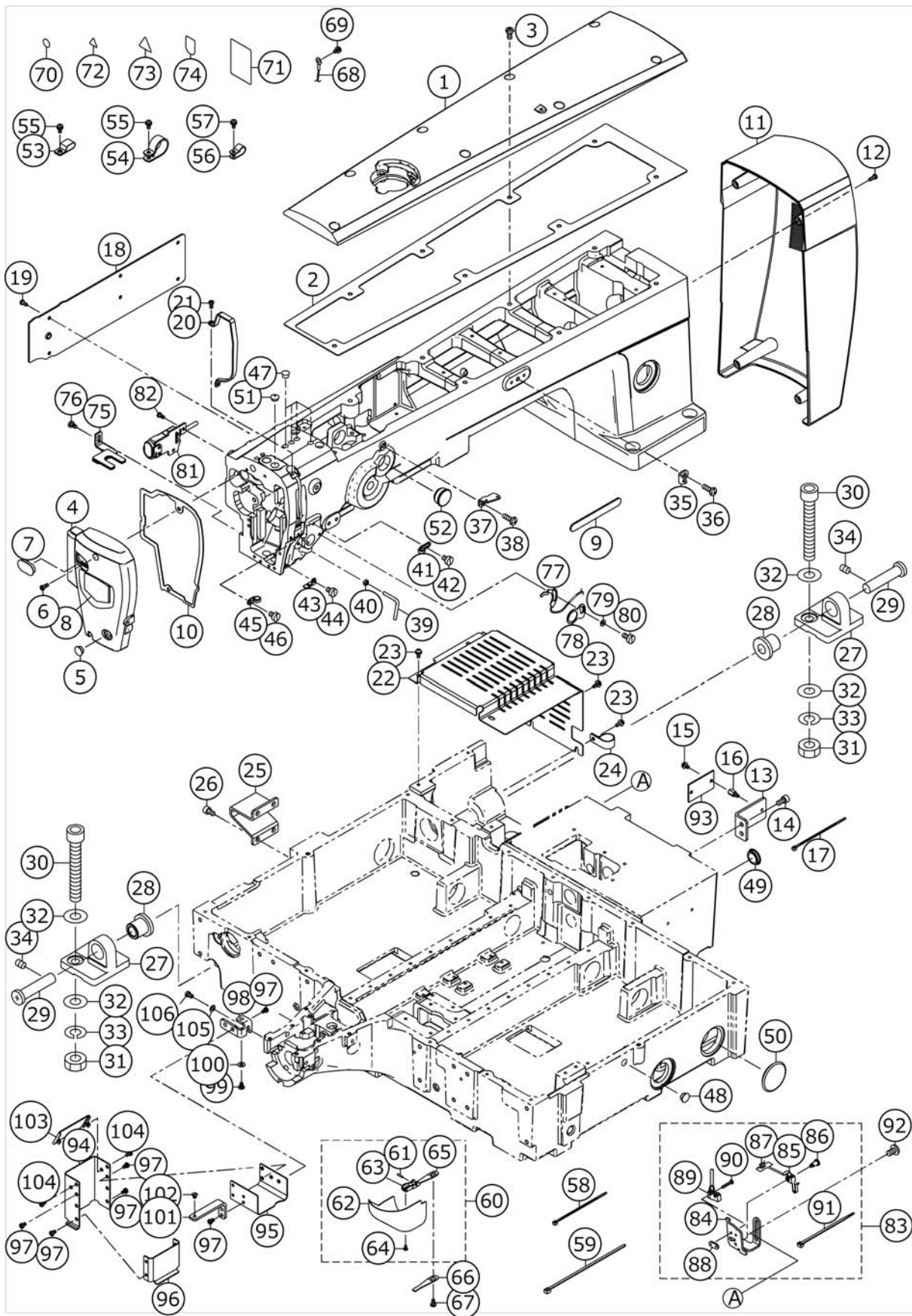


AMS-221F

FRAME & MISCELLANEOUS COVER COMPONENTS (1)

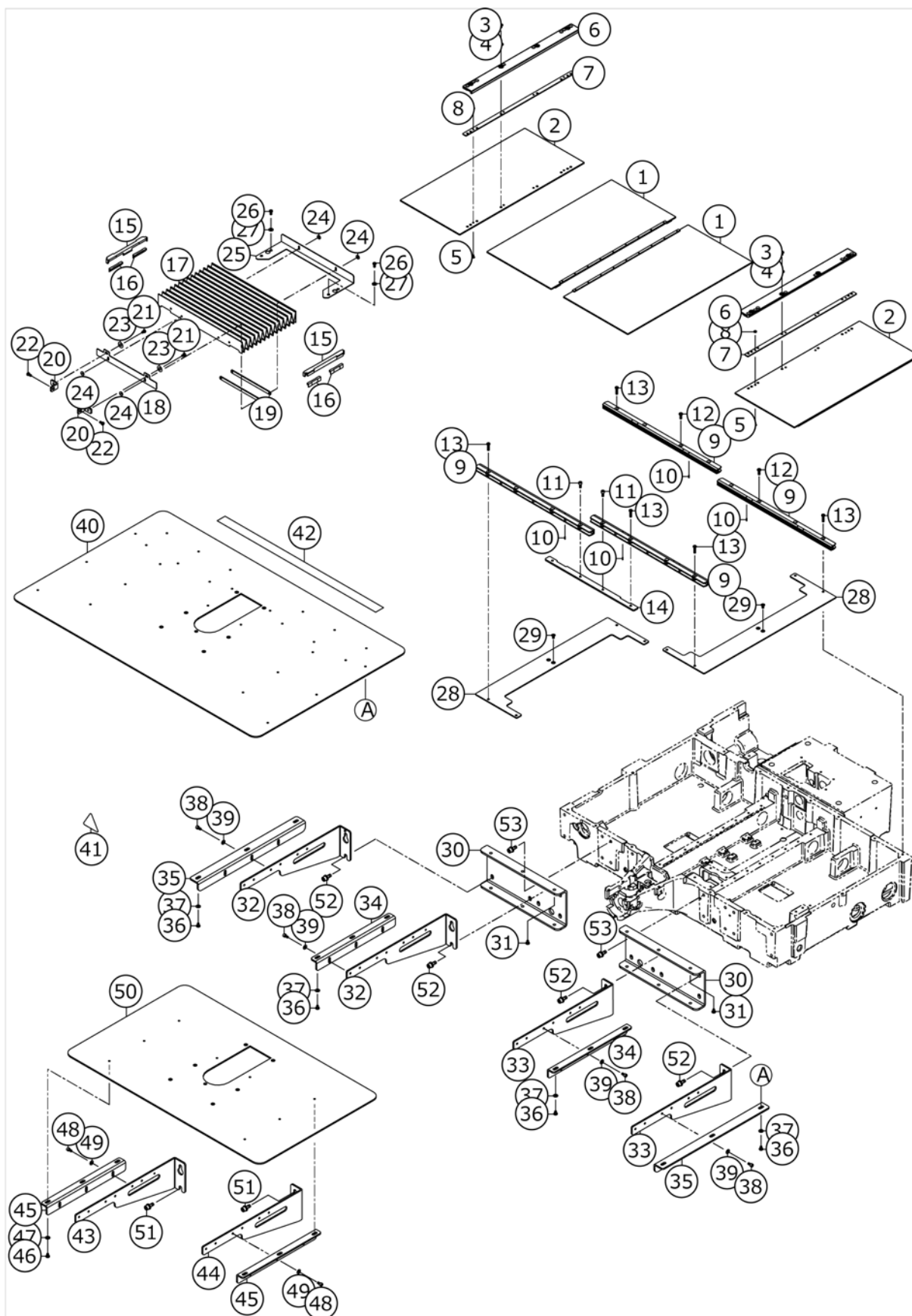


No.	品番	品名	備考	子部品	消耗品	個数
1	40196100	TOP_COVER				1.00
2	40196103	TOP_COVER_CUSHION				1.00
3	SM4061255SP	SCREW M6 L=12				8.00
4	40196101	FACE_COVER				1.00
5	TA1050504R0	RUBBER PLUG				1.00
6	SM4041055SP	SCREW				2.00
7	40028877	FACE_COVER_CAP				1.00
8	40172374	FACE_COVER_PLATE				1.00
9	40172375	EMBLEM_JUKI_SMART_SOLUTIONS				1.00
10	40196104	FACE_COVER_CUSHION				1.00
11	40196102	MOTOR_COVER				1.00
12	SM4041055SP	SCREW				4.00
13	40197436	LIFTER_BASE				1.00
14	SM6061202TP	SCREW M6 L=12				2.00
15	SL4040891SC	SCREW M4X8				2.00
16	HX003390000	SPACER				2.00
17	EA9500B0100	CABLE BAND				1.00
18	40197402	PRESSER_COVER				1.00
19	SM4040855SP	SCREW				6.00
20	40196095	THREAD_TAKE_UP_LEVER_COVER				1.00
21	SM4040801SN	SCREW M4 L=8				2.00
22	40196096	BED_COVER_LEFT				1.00
23	SL4041091SC	SCREW M4 L=10				6.00
24	HX00150000K	CABLE CLAMP				1.00
25	40212494	FRAME_SUPPORT				1.00
26	SM6061002TP	SCREW M6 L=10				4.00
27	40196126	BED_HINGE				2.00
28	B1115215000	BED_HINGE RUBBER PAD				2.00
29	B2529232000	FEED ACROSS REGULATOR SHAFT				2.00
30	SM6107002TP	SCREW M10 L=70				4.00
31	NM6100001SD	NUT M10X1.5 TYPE1				4.00
32	WP1052001SC	WASHER 10				8.00
33	WS1020002KN	SPRING WASHER M10				4.00
34	SM8060812TP	SCREW M6 L=8				4.00
35	40010414	THREAD_GUIDE_NO.1				1.00
36	SM4061255SP	SCREW M6 L=12				1.00
37	26211904	THREAD GUIDE PLATE				1.00
38	SM4061255SP	SCREW M6 L=12				1.00
39	40197403	L_SHAPED_THREAD_GUIDE				1.00
40	NM6040000SN	NUT M4 TYPE1				1.00
41	22920508	ARM THREAD GUIDE A				1.00
42	SM6040650TP	SCREW				1.00
43	B1129210000	FRAME THREAD GUIDE B				1.00
44	SM6040650TP	SCREW				1.00
45	13705108	TAKE-UP THREAD GUIDE B				1.00
46	SM6040650TP	SCREW				1.00
47	TA0850604R0	RUBBER PLUG				6.00
48	TA1050504R0	RUBBER PLUG				1.00
49	TA2050406R0	RUBBER PLUG				1.00
50	40202429	LUBBER_PLUG				2.00

51	40204993	NEEDLE_BAR_UPPER_BUSH_CAP				1.00
52	TA2351004R0	RUBBER PLUG				1.00
53	D2112555B00	CORD HOLDER				2.00
54	HX00150000M	CABLE CLAMP				2.00
55	SL4041091SC	SCREW M4 L=10				4.00
56	HX00150000D	CABLE CLAMP				1.00
57	SL4041091SC	SCREW M4 L=10				1.00
58	EA9500B0100	CABLE BAND				10.00
59	EA9500B0200	CABLE BAND 150				10.00
60	40196124	CYLINDER_ARM_CAP_ASM				1.00
61	13508700	HOOK COVER PRESSER SPRING PIN		*		1.00
62	40196125	CYLINDER_ARM_CAP		*		1.00
63	40142677	CYLINDER ARM CAP PLATE		*		1.00
64	SM3030552TN	SCREW M3 L=5		*		2.00
65	26221101	HOOK COVER PRESSER SPRING A		*		1.00
66	26221200	HOOK COVER PRESSER SPRING B				1.00
67	SM5040855SN	SCREW				1.00
68	M90195800A0	EARTH CABLE ASM.				1.00
69	SL4040891SC	SCREW M4X8				1.00
70	22901805	GROUND MARK				1.00
71	CM301200001	SAFETY LABEL_S				1.00
72	CM300200001	FINGER INJURY CAUTION LABEL (16)				7.00
73	CM300200003	FINGER INJURY CAUTION LABEL (31.5)				1.00
74	CM100100001	OIL INJECTION PROHIBITION LABEL				1.00
75	40197400	LED_DEVICE_ASM				1.00
76	SM4050855SP	SCREW				1.00
77	40073678	THB SENSOR CABLE ASM				1.00
78	40028834	GUIDE_PLATE				1.00
79	40028835	BUSHING				1.00
80	SM6040860TP	SCREW M4 L=8				1.00
81	40208044	STOP_SWITCH_ASM				1.00
82	SM6040860TP	SCREW M4 L=8				2.00
83	40212498	SAFETY_SW_ASM				1.00
84	40033183	SAFETY_SW_BASE		*		1.00
85	23638109	SAFETY SWITCH ARM		*		1.00
86	40006497	SAFETY_SW_ARM_SHAFT		*		1.00
87	23638208	SAFETY SWITCH SPRING		*		1.00
88	23638406	SAFETY SWITCH NUT		*		1.00
89	14442651	SAFETY SWITCH CORD ASM.		*		1.00
90	SM4021201SC	SCREW M2 L=12		*		2.00
91	EA9500B0100	CABLE BAND		*		1.00
92	SM4050855SP	SCREW				1.00
93	40190162	MEM PCB ASSY				1.00
94	40196114	DUCT_TOP				1.00
95	40196115	DUCT_BOTTOM				1.00
96	40196113	DUCT_BOTTOM_2				1.00
97	SM4040655SP	SCREW				12.00
98	40203620	DUCT_BASE				1.00
99	SM6450610TP	SCREW				1.00
100	WP0450801SP	WASHER				1.00
101	40202421	DUCT_BASE_2				1.00

102	SM1040650TP	SCREW				1.00
103	40204909	DUCT_SLOPE_PLATE				1.00
104	SM4040655SP	SCREW				2.00
105	WP0520656SA	WASHER 5.2X9.5X0.6				1.00
106	SM9050850SP	SCREW				1.00

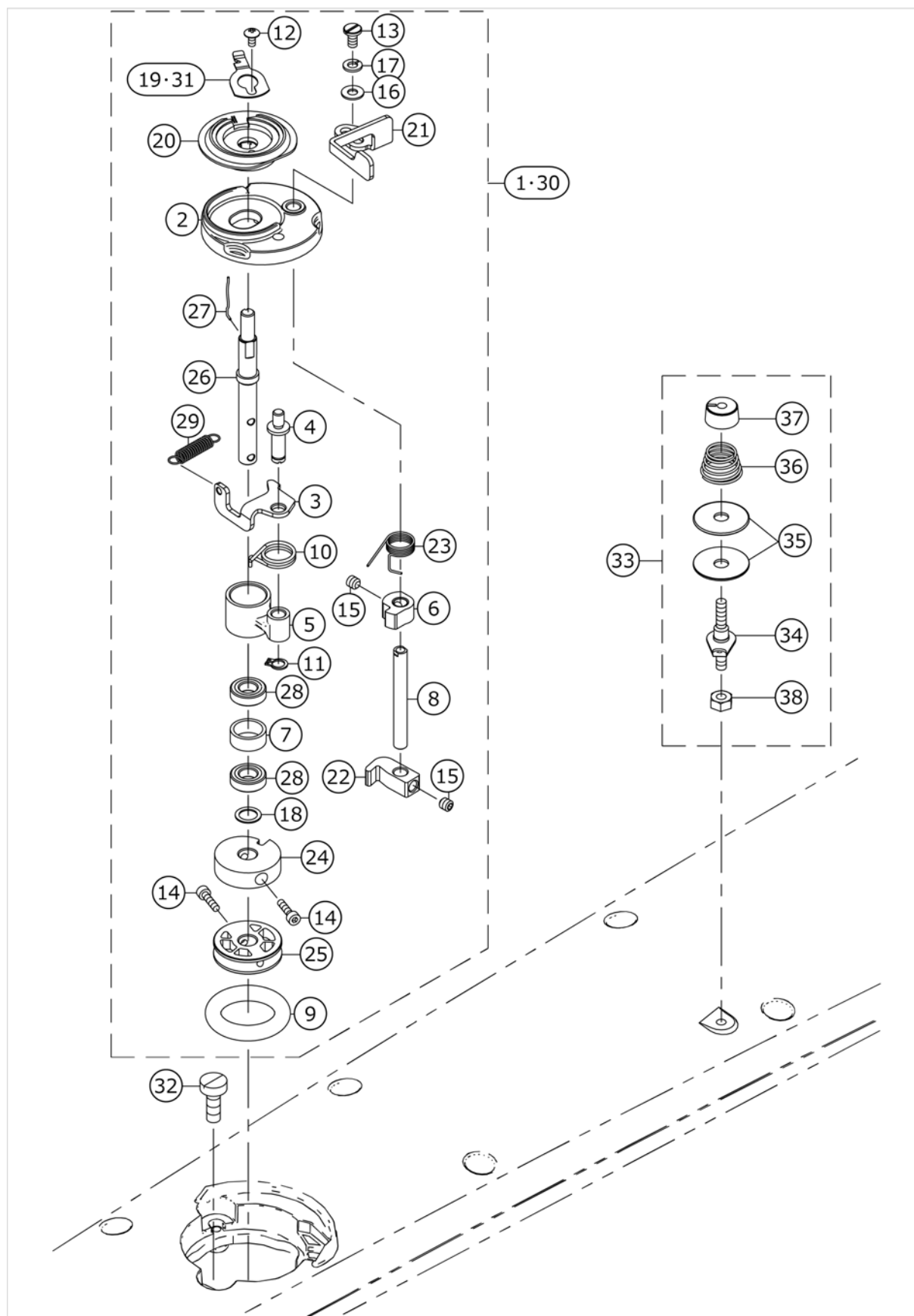
FRAME & MISCELLANEOUS COVER COMPONENTS (2)



No.	品番	品名	備考	子部品	消耗品	個数
1	40199192	X_FEED_LOWER_COVER_ASM				2.00
2	40211480	X_FEED_UPPER_COVER				2.00
3	SM6040650TP	SCREW				8.00
4	WP0450801SD	WASHER 4.5X10X0.8				8.00
5	SM1030601SP	SCREW M3 L=6				8.00
6	B1183221D00	FEED BASE SUPPORT COVER RAIL Y				2.00
7	40032167	FEED_COVER_RALL_STOPPER_PLATE				2.00
8	NM6030003SC	NUT M3X0.5 TYPE3				8.00
9	40197406	FEED_BASE_SUPPORT_COVER_RAIL_X				4.00
10	PS0150065KP	SPRING PIN 1.5X6				4.00
11	SM4041055SP	SCREW				2.00
12	SM4041255SP	SCREW M4 L=12				4.00
13	SM4041655SP	SCREW M4 L=16				10.00
14	40197407	FEED_BASE_COVER_A				1.00
15	B1182221D00	Y GUIDE RAIL BRACKET				2.00
16	B1193221D00	Y GUIDE RAIL BUSH				4.00
17	40208392	FEED_COVER				1.00
18	40197409	FEED_COVER_FIX_PLATE				1.00
19	B1156221D00	FEED COVER FIX PLATE				2.00
20	40197405	MOVEMENT_COVER_PLATE				2.00
21	SM4040655SP	SCREW				2.00
22	SM4040855SP	SCREW				2.00
23	WP0450801SD	WASHER 4.5X10X0.8				2.00
24	SM7030450SC	SCREW M3X0.5 L=4				4.00
25	40208736	FEED_COVER_STAY				1.00
26	SM4040855SP	SCREW				4.00
27	WP0450801SD	WASHER 4.5X10X0.8				4.00
28	40197415	FEED_BASE_COVER				2.00
29	SM1040801SP	SCREW M4X0.7 L=8				2.00
30	40197427	COVER_SUPPORT_BASE	FOR 3020			2.00
31	SM6450610TP	SCREW	FOR 3020			6.00
32	40197428	COVER_SUPPORT_L	FOR 3020			2.00
33	40197429	COVER_SUPPORT_R	FOR 3020			2.00
34	B1132223C00	COVER BASE	FOR 3020			2.00
35	40051502	COVER_BASE	FOR 3020			2.00
36	SM6450610TP	SCREW	FOR 3020			12.00
37	WP0450801SP	WASHER	FOR 3020			12.00
38	SM6040802TP	SCREW M4X0.7 L=8	FOR 3020			12.00
39	WP0450801SP	WASHER	FOR 3020			12.00
40	40199215	NEEDLE_PLATE_SUPPORT_COVER	FOR 3020			1.00
41	40058949	BINDER_CAUTION_LABEL_M				1.00
42	40051501	TAPE				1.00
43	40197428	COVER_SUPPORT_L	FOR 2516			1.00
44	40197429	COVER_SUPPORT_R	FOR 2516			1.00
45	B1132223C00	COVER BASE	FOR 2516			2.00
46	SM6450610TP	SCREW	FOR 2516			6.00
47	WP0450801SP	WASHER	FOR 2516			6.00
48	SM6040802TP	SCREW M4X0.7 L=8	FOR 2516			6.00
49	WP0450801SP	WASHER	FOR 2516			6.00
50	40169070	NEEDLE_PLATE_SUPPORT_COVER_2516	FOR 2516			1.00

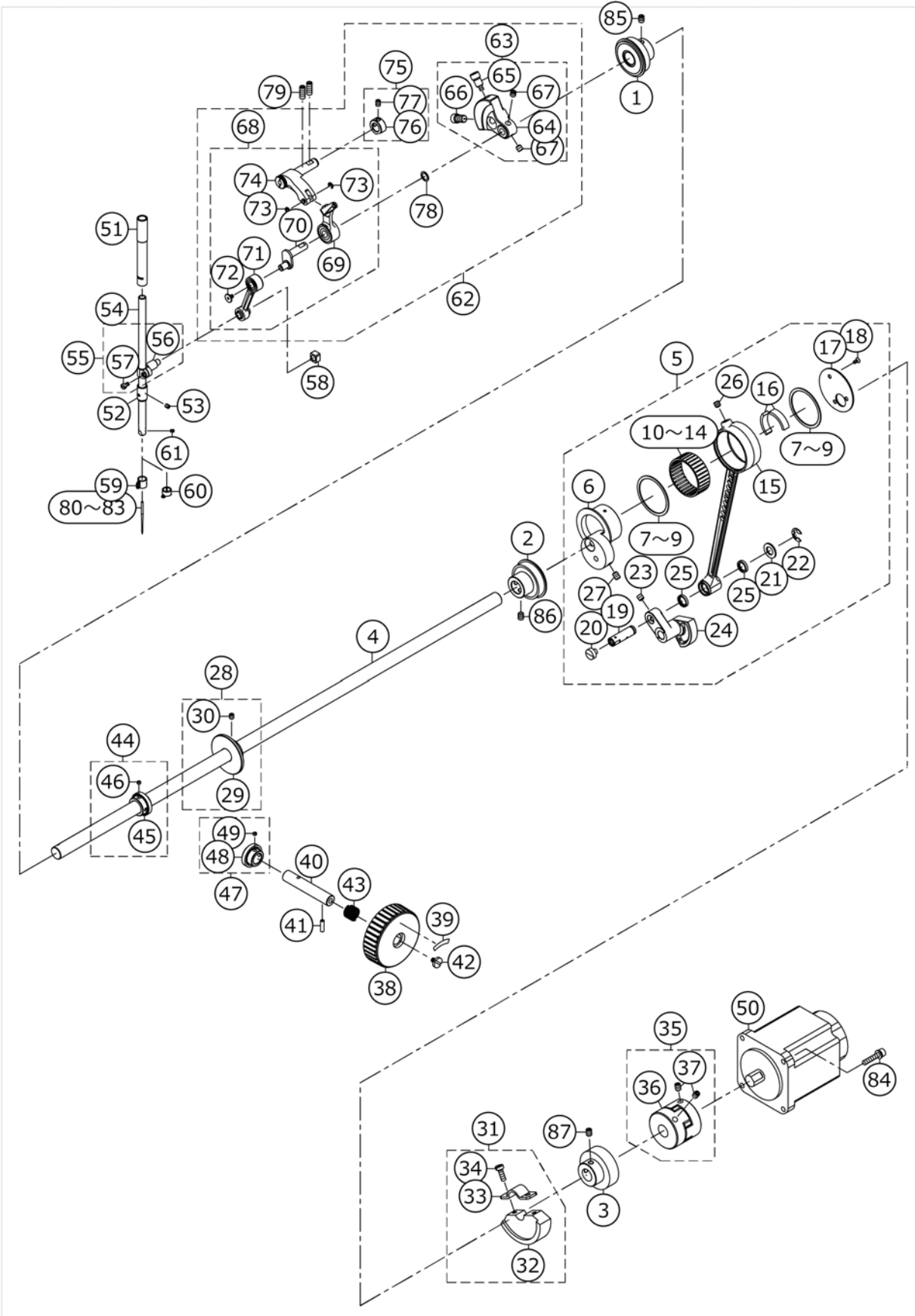
51	SL9061291SE	WASHER HEXAGONAL BOLT M6 L=12	FOR 2516			4.00
52	SL6061692TN	BOLT	FOR 3020			8.00
53	SL6061692TN	BOLT				8.00

BOBBIN WINDER COMPONENTS



No.	品番	品名	備考	子部品	消耗品	個数
1	40196076	BOBBIN_WINDER_UNIT_S	TYPE S			1.00
2	40192946	BTW_BASE		*		1.00
3	40126594	WINDER_CAM_PLATE		*		1.00
4	26260307	BTW_BASE_SHAFT		*		1.00
5	26260406	BTW_SHAFT_BASE		*		1.00
6	26260505	BTW_CAM_LEVER		*		1.00
7	26260802	BTW_BEARING_SPACER		*		1.00
8	26261008	BTW_BASE_SHAFT		*		1.00
9	26261503	BTW_WHEEL_RUBBER		*		1.00
10	40011144	BTW_TORSION_SPRING		*		1.00
11	RC0560711KP	C-RING 6 (5.6)		*		1.00
12	SM0030601SC	SCREW M3X6		*		1.00
13	SM6040860TP	SCREW M4 L=8		*		1.00
14	SM6031202TP	SCREW M3X0.5 L=12		*		2.00
15	SM8050502TP	SCREW M5 L=5		*		2.00
16	WP0450801SP	WASHER		*		2.00
17	WS0451040KP	SPRING WASHER 4.5X8.5X1		*		1.00
18	WP0820516SP	WASHER 11.6X8.2X0.6		*		1.00
19	40196077	WINDER CUTTER S		*		1.00
20	40125927	BOBBIN_BASE		*		1.00
21	40196078	BOBBIN LEVER		*		1.00
22	40208386	WINDER LATCH C		*		1.00
23	40126549	HELICAL_TORSION_COIL_SPRING		*		1.00
24	40125928	WINDER_LATCH_CAM_		*		1.00
25	40125851	WINDER_WHEEL		*		1.00
26	40196079	BOBBIN SHAFT		*		1.00
27	40204994	BOBBIN SPRING		*		1.00
28	40126354	WINDER_BEARING		*		2.00
29	13718507	SPRING		*		1.00
30	40196075	BOBBIN_WINDER_UNIT_H	TYPE H			1.00
31	40208387	WINDER CUTTER	TYPE H	*		1.00
32	SM6041150TP	SCREW				3.00
33	14113468	BOBBIN THREAD TENSION ASM.				1.00
34	14113450	BOBBIN THREAD TENSION ROD ASM.		*		1.00
35	B3126012000	THREAD TENSION DISK		*		2.00
36	D7133555B00	CONNECTING ROD SPRING		*		1.00
37	11072402	THREAD TENSION NUT		*		1.00
38	NS6110310SP	HEXAGONAL NUT 11/64-40		*		1.00

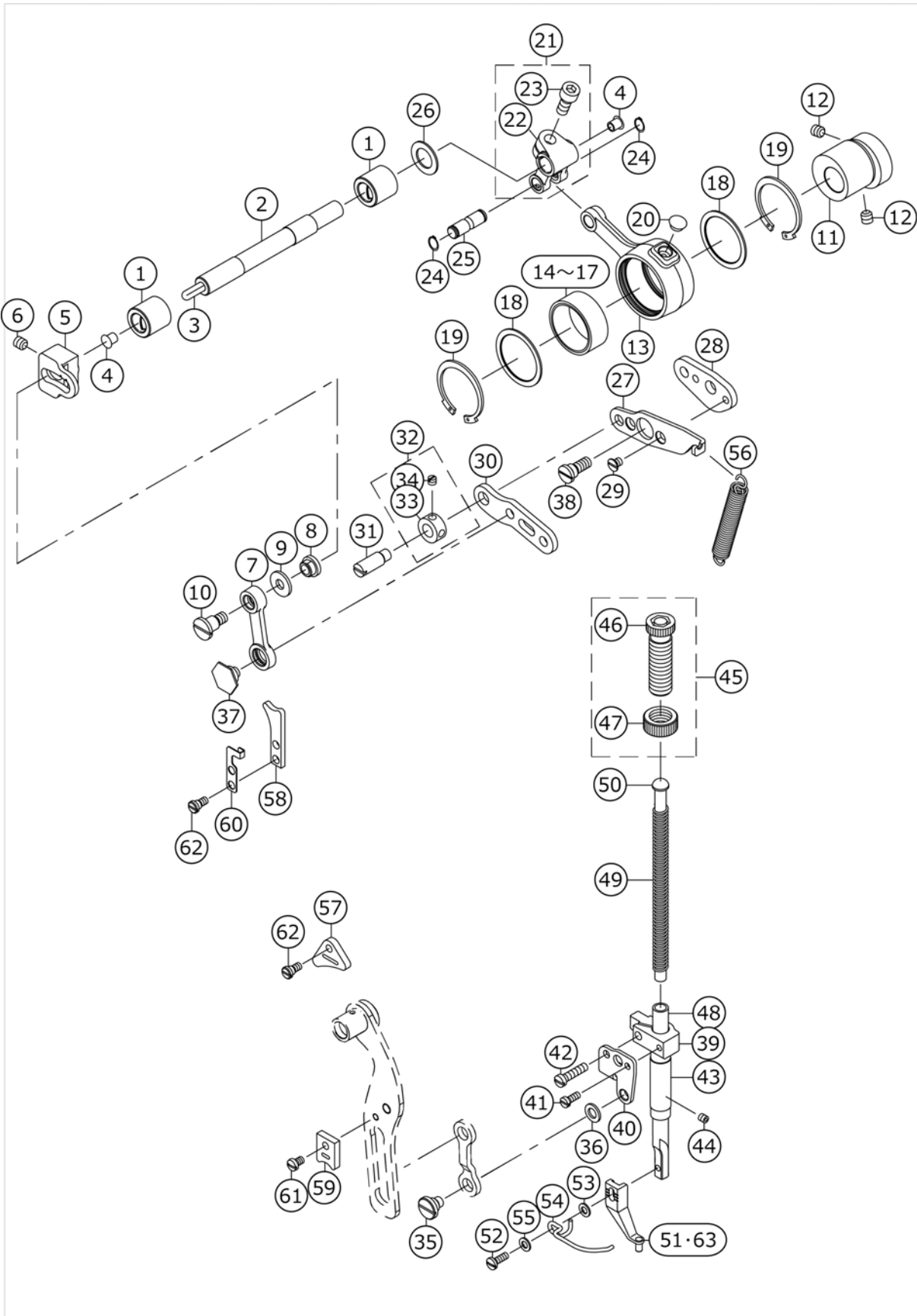
MAIN SHAFT COMPONENTS



No.	品番	品名	備考	子部品	消耗品	個数
1	40142685	FRONT_BEARING				1.00
2	40142685	FRONT_BEARING				1.00
3	40142686	BACK_BEARING				1.00
4	40196080	MAIN_SHAFT				1.00
5	40196081	CRANK_ROD_ALL_ASM				1.00
6	40110815	UNDER_CAM		*		1.00
7	40110817	CRANK_ROD_BEARING_SUPPORT_A	SELECTIVE PARTS	*		2.00
8	40110818	CRANK_ROD_BEARING_SUPPORT_B	SELECTIVE PARTS	*		2.00
9	40110819	CRANK_ROD_BEARING_SUPPORT_C	SELECTIVE PARTS	*		2.00
10	SB34200010A	BEARING	SELECTIVE PARTS	*		1.00
11	SB34200010B	BEARING	SELECTIVE PARTS	*		1.00
12	SB34200010C	BEARING	SELECTIVE PARTS	*		1.00
13	SB34200010D	BEARING	SELECTIVE PARTS	*		1.00
14	SB34200010E	BEARING	SELECTIVE PARTS	*		1.00
15	40112991	CRANK_ROD_ASM		*		1.00
16	40006555	UNDER_CAM FELT		*		2.00
17	40110825	CRANK_ROD_SUPPORT_PLATE		*		1.00
18	SM1030601SP	SCREW M3 L=6		*		3.00
19	40030939	OSCILLATOR_PIN		*		1.00
20	SM6060550TP	SCREW M6 L=4.5		*		1.00
21	40026818	WASHER		*		1.00
22	RE0800000K0	E-SHAPED SNAP RING (8MM)		*		1.00
23	SM8480652TP	SCREW		*		2.00
24	40196052	OSCILLATOR		*		1.00
25	10108009	OIL SEAL		*		2.00
26	SM8480652TP	SCREW		*		1.00
27	SM8060812TP	SCREW M6 L=8		*		2.00
28	40136292	BTW_DRIVING_WHEEL_ASM				1.00
29	40136293	BTW_DRIVING_WHEEL		*		1.00
30	SM80506A2TP	SCREW M5 L=6		*		2.00
31	40110812	CRANK_BALANCER_ASM				1.00
32	40110813	CRANK_BALANCER		*		1.00
33	40010439	CRANK_BALANCER_FIX_PLATE		*		1.00
34	40010440	CRANK_BALANCER_FIX_PLATE_SCREW		*		2.00
35	40142681	COUPLING_ASM.				1.00
36	40142682	COUPLING		*		1.00
37	SM80608A2TP	SCREW M6 L=8		*		4.00
38	40124986	PULLEY				1.00
39	B1144210000	REVOLVING_DIRECTION_LABEL				1.00
40	40044053	PULLEY_SHAFT				1.00
41	PS0400142KH	SPRING_PIN_4X14				1.00
42	A1230500000A	HANDWHEEL_SETSCREW				1.00

43	GAF01007000	SPRING				1.00
44	40153167	HAND_PULLEY_GEAR_A_ASM				1.00
45	40152325	GEAR_A		*		1.00
46	SM8040310SS	SCREW M4 L=3		*		2.00
47	40153168	HAND_PULLEY_GEAR_B_ASM				1.00
48	40152326	GEAR_B		*		1.00
49	SM8040310SS	SCREW M4 L=3		*		2.00
50	40052937	550W_SERVO_MOTOR				1.00
51	40196083	NEEDLE_ROD_METAL				1.00
52	40196084	NEEDLE_ROD_LOWER_METAL				1.00
53	SM8040412TP	SCREW M4X4				1.00
54	40196085	NEEDLE_BAR				1.00
55	40196087	NEEDLE BAR CONNECTING ASM.				1.00
56	40196129	NEEDLE_BAR_HOLDER		*		1.00
57	SS6090670TP	SCREW 9/64-40 L=6		*		1.00
58	40090058	SLIDE BLOCK				1.00
59	40196093	NEEDLE_BAR_THREAD_GUIDE_S				1.00
60	40196094	NEEDLE_BAR_THREAD_GUIDE_H	EXCEPT S			1.00
61	SM8030412TP	SCREW				1.00
62	40196088	COUNTER_WEIGHT_COMP				1.00
63	40204987	COUNTER_WEIGHT_ASM		*		1.00
64	40204988	COUNTER_WEIGHT		*		1.00
65	40010424	COUNTER_WEIGHT_SCREW_A		*		1.00
66	40010425	COUNTER_WEIGHT_SCREW_B		*		1.00
67	40010426	COUNTER_WEIGHT_SCREW_C		*		2.00
68	40196089	THREAD_TAKE_UP_COMP		*		1.00
69	40196090	THREAD_TAKE_UP_ASM		*		1.00
70	40142790	NEEDLE_BAR_CRANK_3		*		1.00
71	40213958	NEEDLE_BAR_CRANK_ROD_COMP		*		1.00
72	40142701	LEFT_HAND_SCREW		*		1.00
73	RE0300000K0	E-RING 3		*		2.00
74	40142807	TAKE_UP_CRANK_ASM_3		*		1.00
75	40110841	THRUST_COLLAR_ASM		*		1.00
76	40110842	THRUST_COLLAR		*		1.00
77	SM80506A2TP	SCREW M5 L=6		*		1.00
78	WP0820516SP	WASHER 11.6X8.2X0.6		*		1.00
79	SM8061612TP	SCREW M6X16				2.00
80	MDP170B1400	NEEDLE DPX17 #14	TYPE S			1.00
81	MC372001100	NEEDLE 135X17 #110	EXCEPT S			1.00
82	MDP170B1800	NEEDLE DPX17 #18	TYPE H			1.00
83	MDP170B2300	NEEDLE DPX17 #23	TYPE G			1.00
84	SL6052592TN	SCREW M5 L=25				4.00
85	40010417	BEARING_BUSH_SCREW				2.00
86	40010417	BEARING_BUSH_SCREW				2.00
87	SM8480652TP	SCREW				2.00

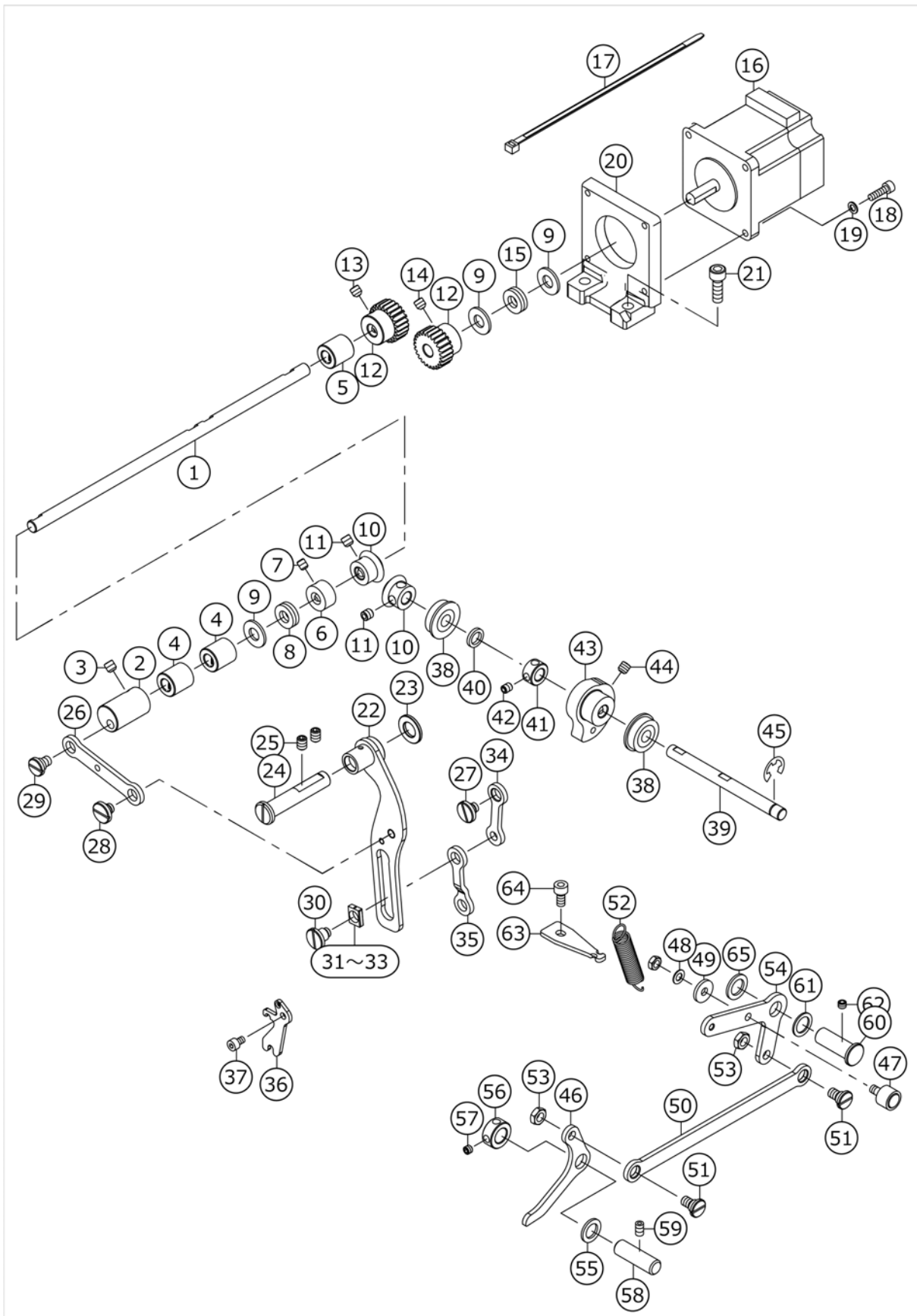
INTERMEDIATE PRESSER MECHANISM COMPONENTS



No.	品番	品名	備考	子部品	消耗品	個数
1	40025431	BUSHING				2.00
2	40025427	INTERMEDIATE_PRESSER_SHAFT				1.00
3	CQ303000000	COTTON OIL WICK D=3				0.10
4	TA0550604R0	RUBBER PLUG				2.00
5	40025012	ADJUSTING_ARM				1.00
6	SM8060812TP	SCREW M6 L=8				1.00
7	40068835	INTERMEDIATE_PRESSURE_LINK				1.00
8	40025415	ADJUSTING_NUT				1.00
9	WP0611626SP	WASHER 15X6X1.6				1.00
10	SD0800746TP	SHOULDER SCREW D=8 H=7.4				1.00
11	40025428	ECCENTRIC_CAM				1.00
12	SM8060812TP	SCREW M6 L=8				2.00
13	40025011	CRANK_CONNECTING_ROD				1.00
14	B1636581A00	NEEDLE BEARING A	SELECTIVE PARTS			1.00
15	B1636581B00	NEEDLE BEARING B	SELECTIVE PARTS			1.00
16	B1636581C00	NEEDLE BEARING C	SELECTIVE PARTS			1.00
17	B1636581D00	NEEDLE BEARING D	SELECTIVE PARTS			1.00
18	40012965	BEARING_SUPPORT_PLATE				2.00
19	RC3781518KP	C-RING 35 (30)				2.00
20	TA0750404R0	PLUG D=7.5 L=3.5				1.00
21	13122452	FEED BRANCH CRANK ASM.				1.00
22	13122403	FEED BRANCH CRANK		*		1.00
23	SM6061402TP	SCREW M6 L=14		*		1.00
24	RC0650811KP	C-RING 7 (6.5)				2.00
25	40025429	ROD_CONNECTING_SHAFT				1.00
26	WP1221016SP	WASHER				1.00
27	40068834	POSITIONING_LINK				1.00
28	40024988	POSITIONING_LINK_B				1.00
29	SS1110640TP	SCREW 11/64-40 L=5.5				2.00
30	40030620	INTERMEDIATE_PRESSER_LINK_B				1.00
31	B1408180000	HINGE SCREW				1.00
32	CS079073ASH	THRUST COLLAR ASM. D=7.94 W=7				1.00
33	CS0790731SH	THRUST COLLAR D=7.94 W=7		*		1.00
34	SS8110410TP	SCREW 11/64-40 L=3.5		*		2.00
35	SD0800386TP	SHOULDER SCREW D=8 H=3.75				1.00
36	40029419	LINK_CONNECTING_PLATE_WASHER				1.00
37	SD1000506TP	SHOULDER SCREW D=10 H=4.95				1.00
38	SD0800408TP	SHOULDER SCREW D=8 H=4				1.00
39	23610108	PRESSER BAR GUIDE BRACKET				1.00
40	40024991	LINK_CONNECTING_PLATE				1.00
41	SS6090910SP	SCREW 9/64-40 L=9				1.00
42	SS7111810TP	SCREW 11/64-40 L=18				1.00
43	40078133	PRESSER_BUSHING				1.00
44	SM8040412TP	SCREW M4X4				1.00
45	22907554	PRESSER SPRING REGULATOR ASM.				1.00
46	22907505	PRESSER SPRING REGULATOR		*		1.00

47	22907604	PRESSER SPRING REGULATOR NUT		*		1.00
48	40030623	INTERMEDIATE_PRESSER_BAR				1.00
49	B161121000A	INNER PRESSER SPRING				1.00
50	40023631	PRESSER GUIDE BAR				1.00
51	40023632	INTERMEDIATE PRESSER A				1.00
52	SM7751160TP	SCREW				1.00
53	WP0430800SC	WASHER M4				1.00
54	B1634210D00	FINGER GUARD				1.00
55	WP0430800SC	WASHER M4				1.00
56	40030621	INTERMEDIATE_PRESSER_SPRING B				1.00
57	40030625	FACE_FELT_A				1.00
58	40030626	FACE_FELT_B				1.00
59	40030627	FACE_FELT_C				1.00
60	40026817	FACE_FELT_B_SUPPORT				1.00
61	40029420	FELT_SCREW_C				1.00
62	40032483	FELT_SCREW_AB				3.00
63	B1601210D0BA	INTERMEDIATE PRESSER B	TYPE G			1.00

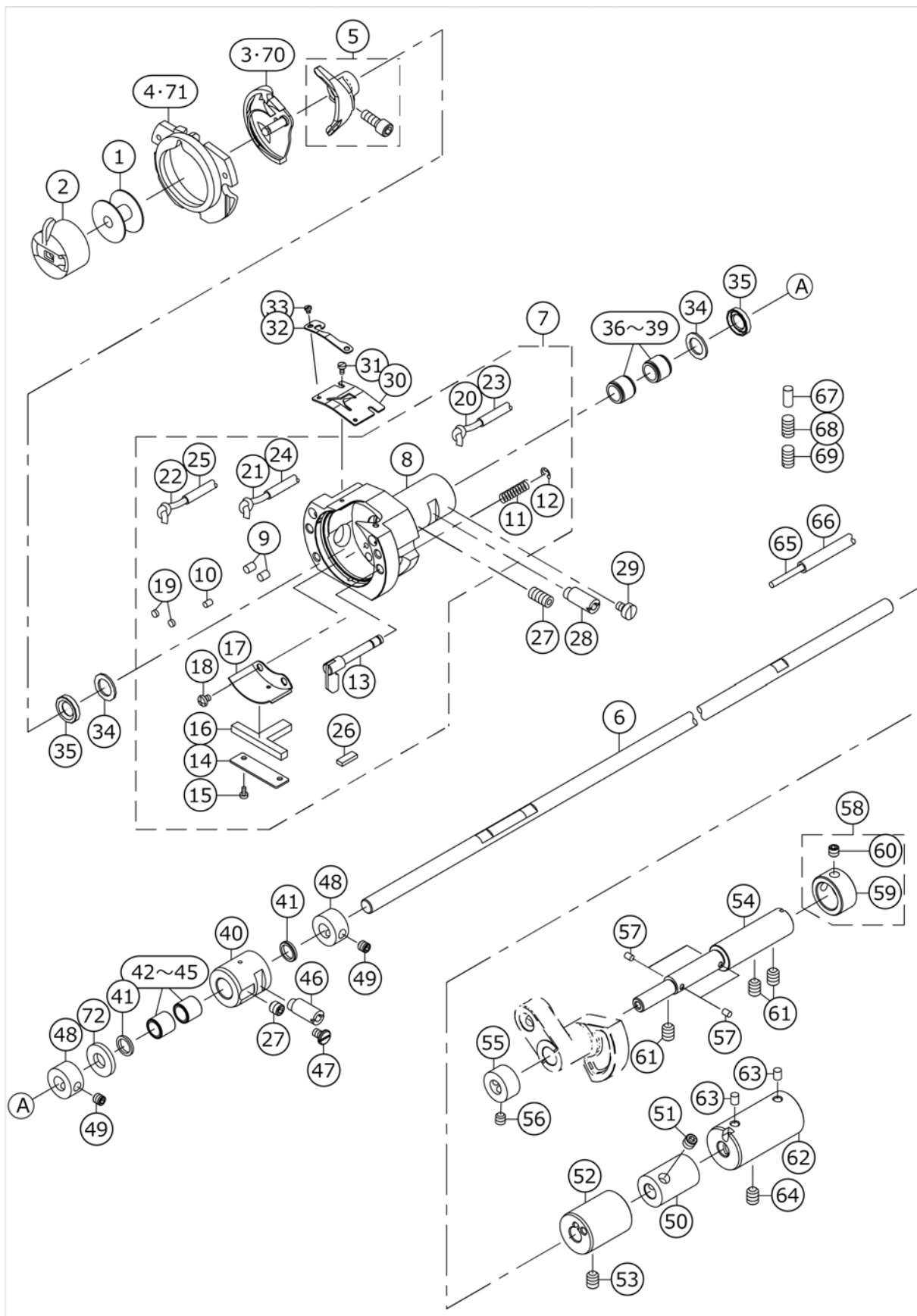
MEDIATE PRESSER VARIABLE COMPONENTS



No.	品番	品名	備考	子部品	消耗品	個数
1	40032179	PRESSER_VARIABLE_SHAFT				1.00
2	40026819	PRESSER_VARIABLE_ARM				1.00
3	SM8480652TP	SCREW				2.00
4	40025423	BUSHING B				2.00
5	40043321	BUSHING_C				1.00
6	CS0800881TP	THRUST COLLAR D=8 W=8				1.00
7	SM8050412TP	SCREW M5 L=4				2.00
8	SB408000100	BEARING				2.00
9	WP0850002SP	WASHER 8.5X18X1.6				3.00
10	40030615	PRESSER_LIFT_GEAR				2.00
11	SM8060812TP	SCREW M6 L=8				4.00
12	40032180	PRESSER_MOTOR_GEAR_A				2.00
13	SM8060812TP	SCREW M6 L=8				2.00
14	SM8060602TP	SCREW M6X6				2.00
15	SB408000100	BEARING				1.00
16	40189344	STEPPING MOTOR D				1.00
17	HX00065000A	CABLE BAND				2.00
18	SM6041402TP	SCREW M4 L=14				4.00
19	WP0450846SP	WASHER				4.00
20	40196112	PRESSER_MOTOR_BRACKET				1.00
21	SM6061802TP	SCREW M6 L=18				2.00
22	40196111	PRESSURE_VARIABLE_PLATE_ASM.				1.00
23	40078113	COLLAR				1.00
24	40023624	THREAD_TRIMMER_SHAFT				1.00
25	SM8060812TP	SCREW M6 L=8				2.00
26	40024989	PRESSER_VARIABLE_LINK				1.00
27	SD0800336TP	SHOULDER SCREW D=8 H=3.25				1.00
28	SD0800387TP	SHOULDER SCREW D=8 H=3.75				1.00
29	SD0800337TP	SHOULDER SCREW D=8 H=3.25				1.00
30	SD0800656TP	SHOULDER SCREW D=8 H=6.45				1.00
31	40030628	SLIDE_BLOCK_A	SELECTIVE PARTS			1.00
32	40030629	SLIDE_BLOCK_B	SELECTIVE PARTS			1.00
33	40030630	SLIDE_BLOCK_C	SELECTIVE PARTS			1.00
34	40030616	INTERMEDIATE PRESSER LINK C				1.00
35	40030617	INTERMEDIATE PRESSER LINK D				1.00
36	40204989	POSITIONING_LINK_SPRING_HOOK				1.00
37	SM6040602TP	SCREW M4X0.7 L=6				2.00
38	SB108000500	BEARING				2.00
39	40025426	PRESSER_LIFT_SHAFT				1.00
40	WZ0850302K0	WAVED WASHER 8.5X12.5X0.3				1.00
41	CS0800881TP	THRUST COLLAR D=8 W=8				1.00
42	SM8050412TP	SCREW M5 L=4				2.00
43	40218602	LIFTING CAM				1.00
44	SM8060812TP	SCREW M6 L=8				2.00
45	RE0700000K0	E-RING 7				1.00
46	40208393	LINK_A				1.00
47	40027870	CAM FOLLOWER				1.00

48	WP0520656SA	WASHER 5.2X9.5X0.6				1.00
49	WP0522016SH	WASHER				1.00
50	40196106	LINK_B				1.00
51	SD0800346TP	SHOULDER SCREW D=8 H=3.4				2.00
52	D2515232D00	TORSION SPRING				1.00
53	NM6060003SP	NUT M6 TYPE3				2.00
54	40196107	LINK_C				1.00
55	10109809	THRUST WASHER				1.00
56	CS1000881TP	THRUST COLLAR D=10 W=8				1.00
57	SM8050412TP	SCREW M5 L=4				2.00
58	PH1000332SH	PARALLEL PIN 10X33				1.00
59	SM8050812TP	SCREW M5X8				2.00
60	B1641562000	FEED REGULATING ARM SHAFT				1.00
61	26226001	THREAD CUTTING LINK WASHER				1.00
62	SM8050412TP	SCREW M5 L=4				1.00
63	40213327	LIFTER LINK SPRING HOOK				1.00
64	SM6040892TN	SCREW				1.00
65	40054979	GEAR_THRUST_WASHER				1.00

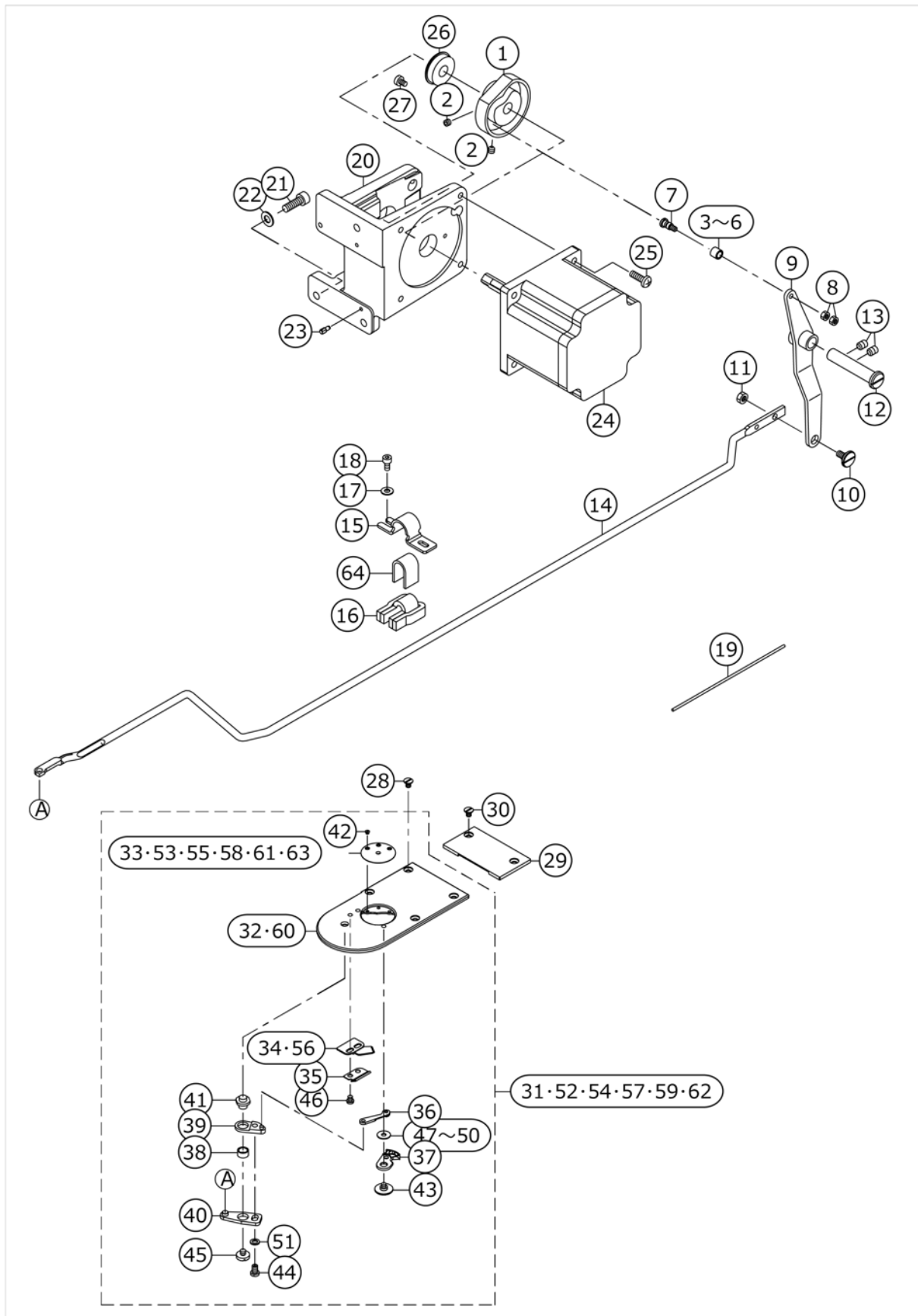
SHUTTLE DRIVER SHAFT COMPONENTS



No.	品番	品名	備考	子部品	消耗品	個数
1	B1806210D00	BOBBIN				1.00
2	40197411	BOBBIN CASE ASM.				1.00
3	40197413	SHUTTLE(S)	TYPE S			1.00
4	14103352	INNER HOOK PRESSER ASM.				1.00
5	40014963	SHUTTLE DRIVER ASM				1.00
6	40196046	LOWER_SHAFT				1.00
7	40034846	SHUTTLE_ASM				1.00
8	40089365	SHUTTLE		*		1.00
9	B1820210D00	SHUTTLE OIL FELT		*		2.00
10	B1821210D00	SHUTTLE OIL FELT		*		1.00
11	B1822215P00	INNER HOOK PRESSER SPRING		*		2.00
12	RE0300000K0	E-RING 3		*		2.00
13	26501858	INNER HOOK PRESSER		*		2.00
14	14104004	ONCE THROUGH OIL FELT PRESSER		*		1.00
15	SM6020460TP	SCREW		*		2.00
16	14103907	SHUTTLE ONCE THROUGH OIL FELT		*		1.00
17	40006577	SHUTTLE_LUBRICATING_PLATE		*		1.00
18	SM4030455SP	SCREW		*		2.00
19	13529607	SHUTTLE PACKING		*		2.00
20	CQ200000000	COTTON OIL WICK D=2		*		3.05
21	CQ200000000	COTTON OIL WICK D=2		*		3.05
22	CQ200000000	COTTON OIL WICK D=2		*		1.70
23	23630007	TUBE		*		0.80
24	23630007	TUBE		*		0.80
25	23630007	TUBE		*		0.62
26	40142719	FELT		*		2.00
27	SM8061212TP	SCREW M6X12				2.00
28	40010471	SHUTTLE_RACE_ADJUSTING_SHAFT				1.00
29	SM6040650TP	SCREW				1.00
30	40036117	SHUTTLE UPPER SPRING				1.00
31	SM6020460TP	SCREW				2.00
32	40204995	LOWER_THREAD HOLDER				1.00
33	SM6020250TP	SCREW				2.00
34	40010472	SHUTTLE_BEARING_RING				2.00
35	40006576	SHUTTLE_OIL_SEAL				2.00
36	SB30800100A	BEARING	SELECTIVE PARTS			1.00
37	SB30800100B	BEARING	SELECTIVE PARTS			1.00
38	SB30800100C	BEARING	SELECTIVE PARTS			1.00
39	SB30800100D	BEARING	SELECTIVE PARTS			1.00
40	40196047	LOWER_SHAFT_FRONT_METAL				1.00
41	40015914	ND_PIN_COVER_B				2.00
42	B1411804A00	BEARING (A)	SELECTIVE PARTS			2.00
43	B1411804B00	NEEDLE DRIVING LEVER BEARING B	SELECTIVE PARTS			2.00
44	B1411804C00	NEEDLE DRIVING LEVER BEARING C	SELECTIVE PARTS			2.00

45	B1411804D00	BEARING (D)	SELECTIVE PARTS			2.00
46	40010471	SHUTTLE_RACE_ADJUSTING_SHAFT				1.00
47	SM6040650TP	SCREW				1.00
48	CS0800971TP	THRUST COLLAR D=8 W=9				2.00
49	SM8050512TP	SCREW				4.00
50	40196051	LOWER_SHAFT_GEAR				1.00
51	SM8480652TP	SCREW				2.00
52	40196049	LOWER_SHAFT_MIDDLE_METAL				1.00
53	SM8060812TP	SCREW M6 L=8				1.00
54	40196053	OCCILICATOR SHAFT				1.00
55	CS0800971TP	THRUST COLLAR D=8 W=9				1.00
56	SM8050512TP	SCREW				2.00
57	B1821210D00	SHUTTLE OIL FELT				4.00
58	40196055	THRUST_COLLAR_ASM				1.00
59	40196054	THRUST_COLLAR_14.7		*		1.00
60	SM8050512TP	SCREW		*		2.00
61	SM8060812TP	SCREW M6 L=8				3.00
62	40196050	LOWER_SHAFT_METAL_REAR				1.00
63	B1820210D00	SHUTTLE OIL FELT				2.00
64	SM8060612TP	SCREW M6 L=6				1.00
65	CQ300000001	COTTON OIL WICK D=3				1.20
66	BP400000000	VINYL PIPE				1.00
67	40006578	OIL_WICK_PRESSER				1.00
68	SM8060610TP	SCREW				1.00
69	SM8061050TP	SCREW				1.00
70	40197412	SHUTTLE(H)	TYPE H,G			1.00
71	14103659	SHUTTLE RACE RING ASM.	TYPE G			1.00
72	B1808980000	LOWER SHAFT THRUST WASHER				1.00

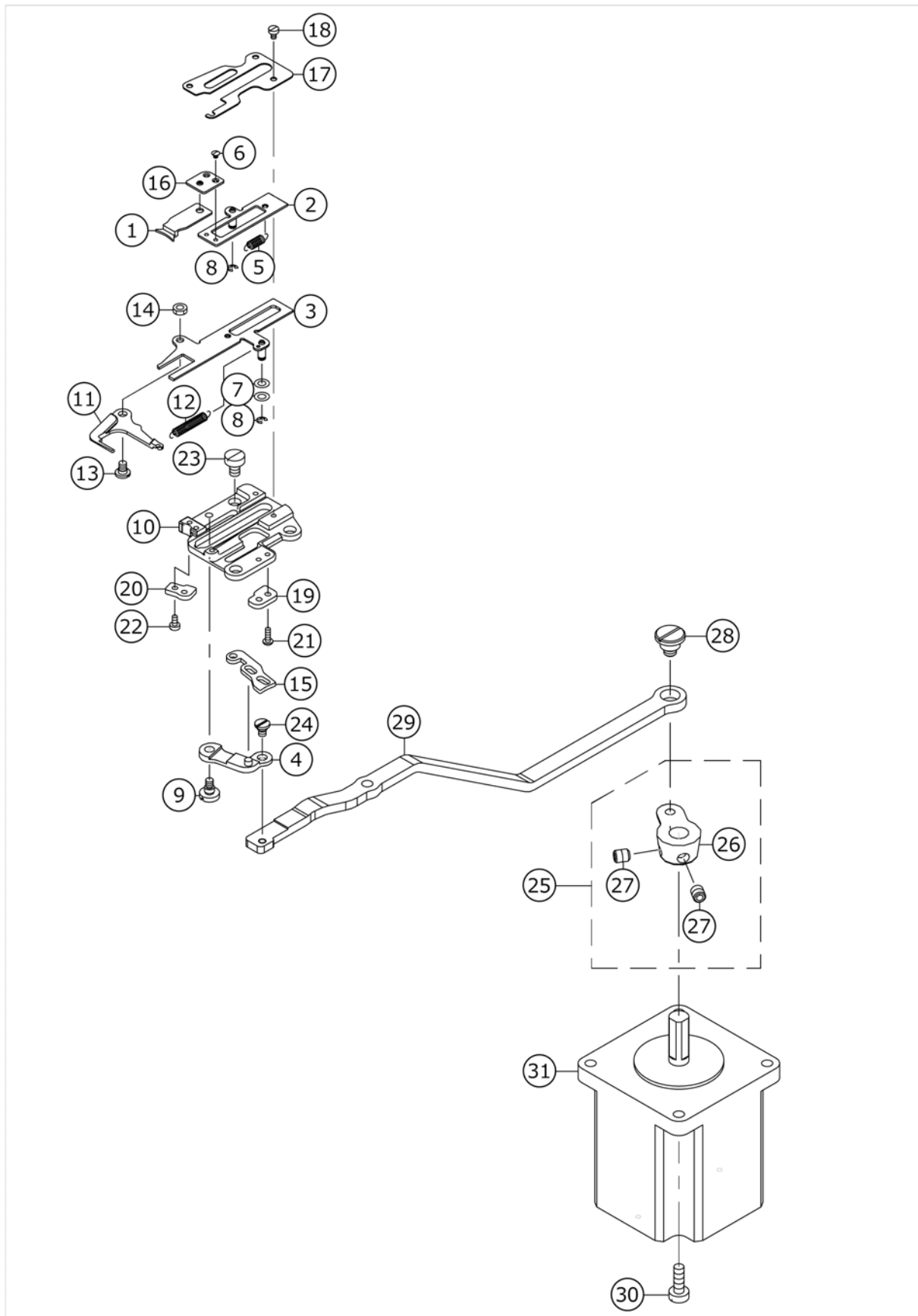
THREAD TRIMMER MECHANISM COMPONENTS



No.	品番	品名	備考	子部品	消耗品	個数
1	40030936	THREAD_TRIMMER_CAM				1.00
2	SM8050592TP	SCREW				2.00
3	23517501	NEEDLE CAM ROLLER A	SELECTIVE PARTS			1.00
4	23517600	NEEDLE CAM ROLLER B	SELECTIVE PARTS			1.00
5	23517709	NEEDLE CAM ROLLER C	SELECTIVE PARTS			1.00
6	23517808	NEEDLE CAM ROLLER D	SELECTIVE PARTS			1.00
7	40040256	CAM_ROLLER_SHAFT				1.00
8	NM6040001SP	NUT M4X0.7 TYPE1				2.00
9	40072228	THREAD_TRIMMER_LINK_ASM				1.00
10	SD0800327TP	SHOULDER SCREW D=8 H=3.2				1.00
11	NM6050001SP	NUT M5X0.8 TYPE1				1.00
12	40023624	THREAD_TRIMMER_SHAFT				1.00
13	SM8060812TP	SCREW M6 L=8				2.00
14	40196068	THREAD_TRIMMER_CONNECTING_BAR				1.00
15	40211858	DEFLECTION_SUPPRESSOR				1.00
16	40211859	GUIDE_PLATE_FELT				1.00
17	WP0450801SD	WASHER 4.5X10X0.8				2.00
18	SM6040802TP	SCREW M4X0.7 L=8				2.00
19	CQ202000000	COTTON OIL WICK D=2				0.13
20	40072211	MOTOR_BASE				1.00
21	SM6061802TP	SCREW M6 L=18				3.00
22	WP0651001SC	WASHER				3.00
23	B1816215P00	GUIDE PIN				2.00
24	40189343	STEPPING MOTOR C				1.00
25	SM4051655SP	SCREW M5 L=16				4.00
26	SB110002400	BEARING				1.00
27	SM6040650TP	SCREW				1.00
28	SM1040650TP	SCREW				4.00
29	40196069	NEEDLE_PLATE_SUPPOTER				1.00
30	SM1040650TP	SCREW				2.00
31	40196070	NEEDLE_PLATE_S_ASM	TYPE S			1.00
32	40197435	NEEDLE_PLATE		*		1.00
33	40196061	NEEDLE HOLE GUIDE D=1.6	TYPE S	*		1.00
34	40195927	FIXING_KNIFE		*		1.00
35	40203619	FIXING_KNIFE_COVER		*		1.00
36	40196063	MOVING KNIFE COMPL.		*		1.00
37	40191209	MOVING_KNIFE		*		1.00
38	B2416280000	THREAD CUTTING LEVER RING		*		1.00
39	B24162100A0	THREAD CUTTER SMALL LEVER ASM.		*		1.00
40	B24142800A0	THREAD CUTTER LEVER ASM.		*		1.00
41	B2417280000	THREAD CUTTER LEVER SHAFT		*		1.00
42	SS1060210TP	SCREW 3/32-56 L=2.2		*		3.00
43	B2417210000	MOVING KNIFE HINGE SCREW		*		1.00
44	SS7110740TP	SCREW 11/64-40 L=7		*		1.00
45	SS6110430TP	SCREW 11/64-40 L= 4.0		*		1.00
46	SS4090415SP	SCREW 9/64-40 L=4		*		2.00

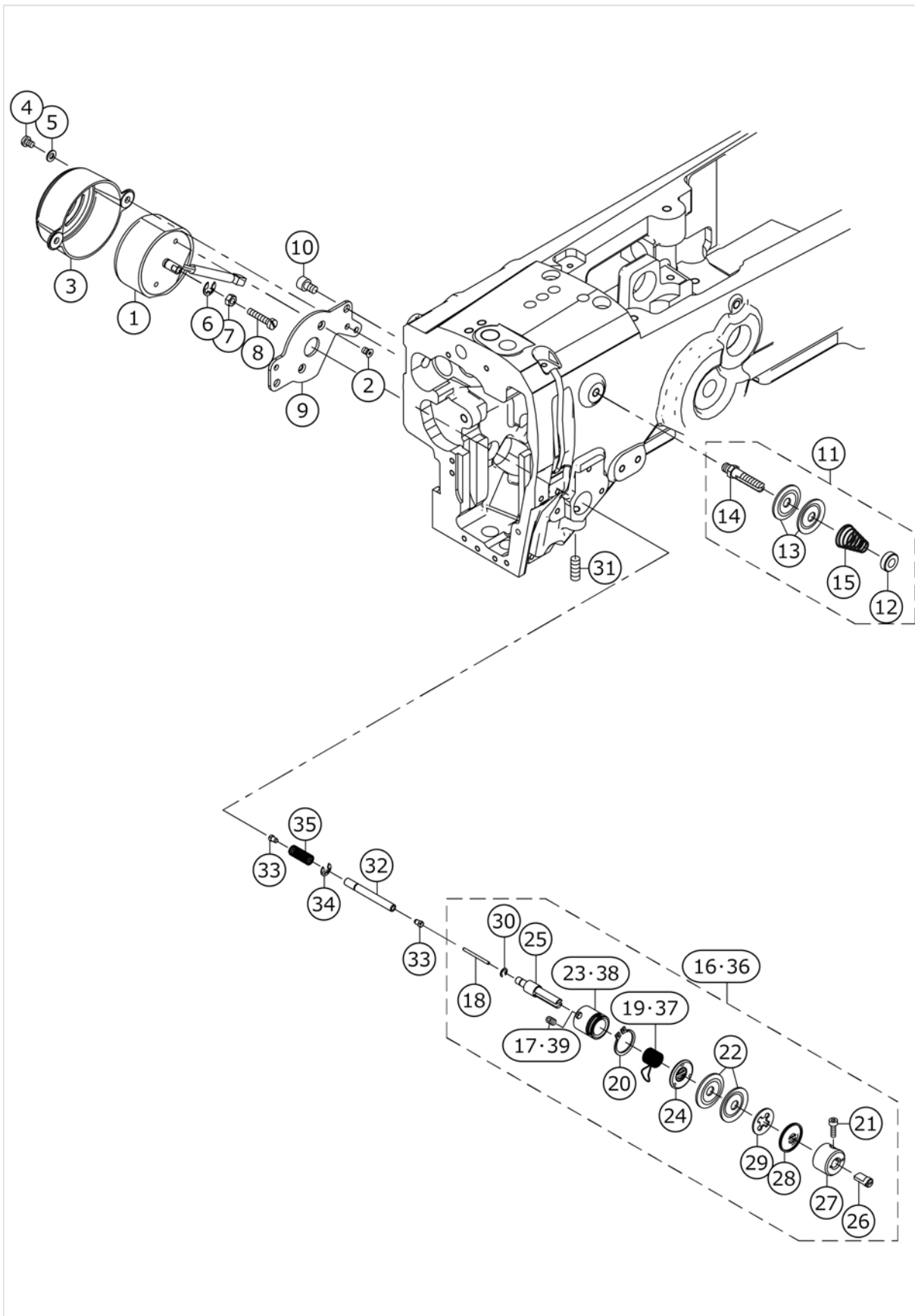
47	B242328000A	MOVING KNIFE WASHER A	SELECTIVE PARTS	*		1.00
48	B242328000B	MOVING KNIFE WASHER B	SELECTIVE PARTS	*		1.00
49	B242328000C	MOVING KNIFE WASHER C	SELECTIVE PARTS	*		1.00
50	B242328000D	MOVING KNIFE WASHER D	SELECTIVE PARTS	*		1.00
51	WP0450846SP	WASHER		*		1.00
52	40196064	NEEDLE_PLATE_H_ASM.	TYPE H			1.00
53	40196067	NEEDLE HOLE GUIDE D=2.0	TYPE H	*		1.00
54	40196066	NEEDLE_PLATE_H_ASM.	TYPE G			1.00
55	40196074	NEEDLE HOLE GUIDE D=3.0	TYPE G	*		1.00
56	40196116	FIXING_KNIFE_G2	TYPE G,G-F	*		1.00
57	40196065	NEEDLE_PLATE_H_ASM.	TYPE H-G			1.00
58	40196071	NEEDLE HOLE GUIDE D=2.4	TYPE H-G	*		1.00
59	40214450	NEEDLE_PLATE_H_ASM.	TYPE H-F			1.00
60	40204990	STAINLESS NEEDLE PLATE	TYPE H-F,G-F	*		1.00
61	40213030	NEEDLE HOLE GUIDE B	TYPE H-F	*		1.00
62	40214452	NEEDLE_PLATE_G_ASM.	TYPE G-F			1.00
63	40214455	STAINLESS NEEDLE HOLE GUIDE D	TYPE G-F	*		1.00
64	40221100	GUIDE SUPPORT PLATE FELT				1.00

THREAD CLAMP COMPONENTS



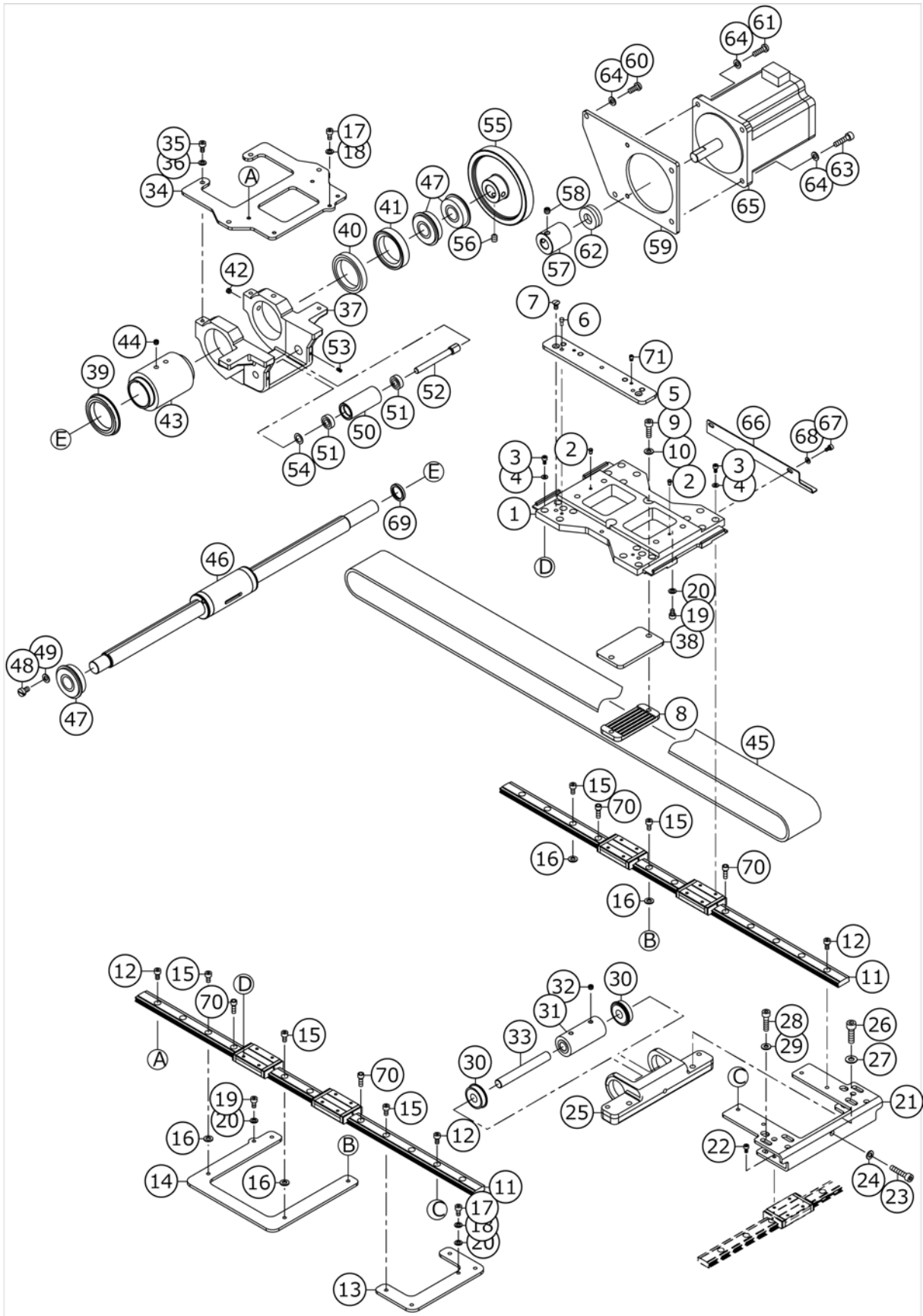
No.	品番	品名	備考	子部品	消耗品	個数
1	40006761	TC_CLAMP				1.00
2	40076233	TC_CLAMP_PLATE_ASM				1.00
3	40076235	TC_SUPPORT_PLATE_ASM				1.00
4	40015800	TC_LINK_ASM				1.00
5	40006780	TC_SPRING				1.00
6	SM2360110TP	SCREW				2.00
7	WP0320500SC	WASHER M3				2.00
8	RE0200000K0	E-RING 2				2.00
9	SD0400266TP	SHOULDER SCREW D=4 H=2.6				1.00
10	40076237	TC_BASE				1.00
11	40155049	TC_OPEN_PLATE				1.00
12	40076232	TC_OPEN_SPRING				1.00
13	SD0350156TP	SHOULDER SCREW D=3.5 H=1.5				1.00
14	NM6030003SC	NUT M3X0.5 TYPE3				1.00
15	40010590	TC_CAM_PLATE				1.00
16	40012815	TC_JOINT_ASM				1.00
17	40076236	TC_BASE_COVER				1.00
18	SM6020350SP	SCREW M2 L=2.5				4.00
19	40030943	TC_NOTCH_R_H				1.00
20	40030942	TC_NOTCH_F_H				1.00
21	SM4020600SP	SCREW M2 L=6				2.00
22	SM6020450TP	SCREW				2.00
23	SM6040650TP	SCREW				3.00
24	SD0350156TP	SHOULDER SCREW D=3.5 H=1.5				1.00
25	40010527	TC_DRIVING_ARM_ASM				1.00
26	40010528	TC_DRIVING_ARM		*		1.00
27	40011152	TC_ARM_SCREW		*		2.00
28	SD0800407TP	SHOULDER SCREW D=8 H=4				1.00
29	40196072	TC_CONNECTING_LINK				1.00
30	SM6041202TP	SCREW M4X0.7 L=12				4.00
31	40189345	STEPPING MOTOR E				1.00

TENSION RELEASE & THREAD TENSION COMPONENTS



No.	品番	品名	備考	子部品	消耗品	個数
1	40174350	AT_SOLENOID_A				1.00
2	SM1040652TP	SCREW				2.00
3	40197440	AT_SOLENOID_COVER				1.00
4	SM4040555SP	SCREW				2.00
5	WP0410846SC	WASHER				2.00
6	RE0500000K0	E-RING				1.00
7	NM6040000SN	NUT M4 TYPE1				1.00
8	SM6042000SP	SCREW				1.00
9	40196128	AT_PLATE				1.00
10	SM6050802TP	SCREW M5X0.8 L=8				2.00
11	40010503	THREAD_TENSION_1_ASM				1.00
12	22928808	NUT		*		1.00
13	22921506	THREAD TENSION DISK		*		2.00
14	40010504	THREAD_TENSION_SHAFT		*		1.00
15	26218602	FIRST THREAD TENSION SPRING		*		1.00
16	40172470	THREAD_TENSION_ASM_S	TYPE S			1.00
17	SM8040612TP	SCREW M4 L=6	TYPE S	*		1.00
18	B3118552H00	THREAD RELEASE PIN		*		1.00
19	22921605	THREAD TAKE-UP SPRING		*		1.00
20	RC1700001KP	C-RING 17 (15.7)		*		1.00
21	SM6031002TN	SCREW M3 L=10		*		1.00
22	22921506	THREAD TENSION DISK		*		2.00
23	40174313	TENSION_POST_BASE_ASM	TYPE S	*		1.00
24	40126724	TENSION_DISC HOLDER		*		1.00
25	40172472	AT_SHAFT		*		1.00
26	40172473	DISK_STOPPER HOLDER_CAP_PIN		*		1.00
27	40172474	DISK_STOPPER HOLDER_CAP		*		1.00
28	B3132012000	TENSION DISC HOLDER		*		1.00
29	40174312	THREAD_TENSION_DISK_RUBBER		*		1.00
30	RC0410415KP	C-RING		*		1.00
31	SM8061612TP	SCREW M6X16				1.00
32	40196131	THREAD_TENSION_PIN				1.00
33	26201004	GUIDE PIN				2.00
34	RE0400000K0	E-RING 4				1.00
35	22920409	THREAD RELEASE PIN SPRING				1.00
36	40208388	THREAD_TENSION_ASM_H	TYPE H			1.00
37	40029412	THREAD_TAKE-UP_SPRING_H	TYPE H	*		1.00
38	40010510	THREAD_TENSION_POST_BASE	TYPE H	*		1.00
39	40010478	POST BASE SCREW	TYPE H	*		1.00

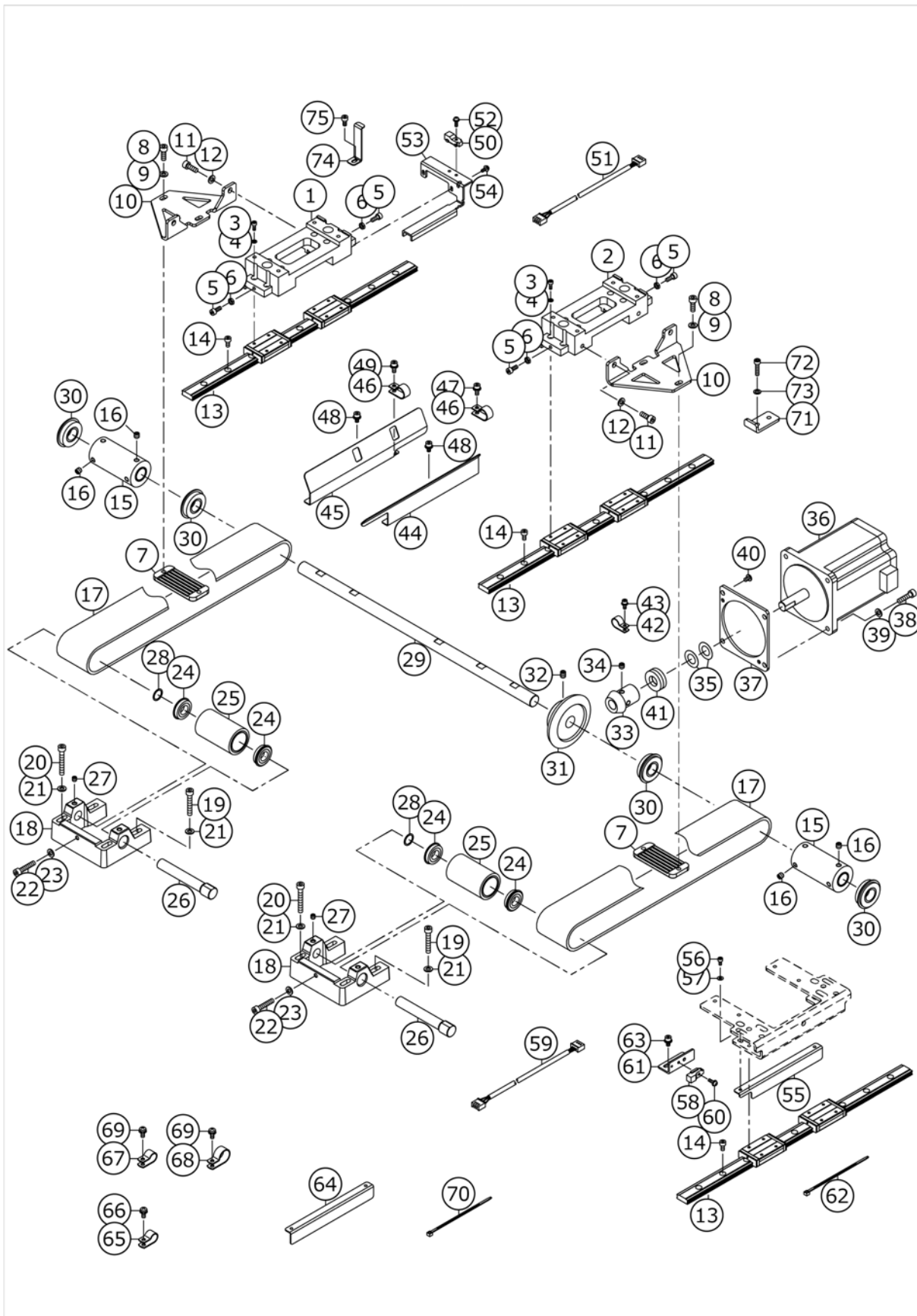
X-Y COMPONENTS (1)



No.	品番	品名	備考	子部品	消耗品	個数
1	40211388	X_FEED_BASE				1.00
2	B1816280000	GUIDE PIN				2.00
3	SM6030602TP	SCREW M3X0.5 L=6				16.00
4	WP0320501SD	WASHER				16.00
5	40200740	LOWER_PLATE_INSTALLING_PLATE				1.00
6	B1816280000	GUIDE PIN				2.00
7	SM1040870TP	SCREW				2.00
8	40196030	BELT_RECEIVER				1.00
9	SM6051602TP	SCREW M5X0.8 L=16				2.00
10	WP0531000SD	WASHER M5				2.00
11	40196010	X_LINEAR_GUIDE				2.00
12	SM6040802TP	SCREW M4X0.7 L=8				8.00
13	40200734	X_LM_GUIDE_SUPPORT_PLATE				1.00
14	40200739	X_LM_GUIDE_SUPPORT_PLATE_L				1.00
15	SM6040802TP	SCREW M4X0.7 L=8				8.00
16	WP0531000SD	WASHER M5				4.00
17	SM6040802TP	SCREW M4X0.7 L=8				2.00
18	WP0480856SP	WASHER 4.8X8.4X0.8				2.00
19	SM6040602TP	SCREW M4X0.7 L=6	FOR 2516			2.00
20	WP0480856SP	WASHER 4.8X8.4X0.8	FOR 2516			3.00
21	40201536	X_DRIVEN_BRACKET_BASE				1.00
22	SM6030602TP	SCREW M3X0.5 L=6				8.00
23	SM6052502TP	SCREW M5X25				1.00
24	WP0531000SD	WASHER M5				1.00
25	40201535	DRIVEN BRACKET				1.00
26	SM6062002TP	SCREW M6 L=20				2.00
27	WP0621016SD	WASHER 6.2X13X1				2.00
28	SM6052002TP	SCREW M5X0.8 L=20				2.00
29	WP0501016SD	WASHER 5X10.5X1				2.00
30	SB110002400	BEARING				2.00
31	40196022	X_DRIVEN_SPROCKET				1.00
32	SM8050612TP	SCREW M5X6				2.00
33	40196035	X_DRIVEN_SHAFT				1.00
34	40201538	X_DRIVE_BRACKET_BASE				1.00
35	SM6040802TP	SCREW M4X0.7 L=8				4.00
36	WP0480856SP	WASHER 4.8X8.4X0.8				4.00
37	40201537	X_DRIVE BRACKET				1.00
38	40196038	X_BELT_PRESSER_FIX_PLATE				1.00
39	SB135000400	BEARING				1.00
40	SB135000300	BEARING				1.00
41	40196039	X_DRIVE_BEALING_SPACER				1.00
42	SM8050412TP	SCREW M5 L=4				2.00
43	40196023	X_DRIVE_SPROCKET				1.00
44	SM8050412TP	SCREW M5 L=4				4.00
45	40196013	X_TIMING_BELT				1.00
46	40196012	X_DRIVE_SPLINE_SHAFT				1.00
47	B1802180000	BUSHING				3.00
48	SM6050800SP	SCREW M5 L=8				1.00
49	WP0531000SD	WASHER M5				1.00
50	40197425	X_BELT_IDORE				1.00

51	SB108002500	BEARING				2.00
52	40196016	X_BELT_IDORE_SHAFT				1.00
53	SM8030612TP	SET SCREW				2.00
54	40078291	WASHER				1.00
55	40196019	X_DRIVEN_GEAR				1.00
56	SM8060802TP	SCREW M6 L=8				2.00
57	40196020	X_DRIVE_GEAR				1.00
58	SM8060602TP	SCREW M6X6				2.00
59	40196041	X_MOTOR_INSTALLING_PLATE				1.00
60	SM4051255SP	SCREW				2.00
61	SM4051655SP	SCREW M5 L=16				2.00
62	SB412000100	BEARING				1.00
63	SM6052002TP	SCREW M5X0.8 L=20				2.00
64	WP0531000SD	WASHER M5				6.00
65	40189341	STEPPING MOTOR A				1.00
66	40204984	X_SLIT_PLATE				1.00
67	SM6030602TP	SCREW M3X0.5 L=6				2.00
68	WP0320501SD	WASHER				2.00
69	40219713	THRUST WASHER				1.00
70	SM6041202TP	SCREW M4X0.7 L=12				8.00
71	B151902600G	HINGE STUD				2.00

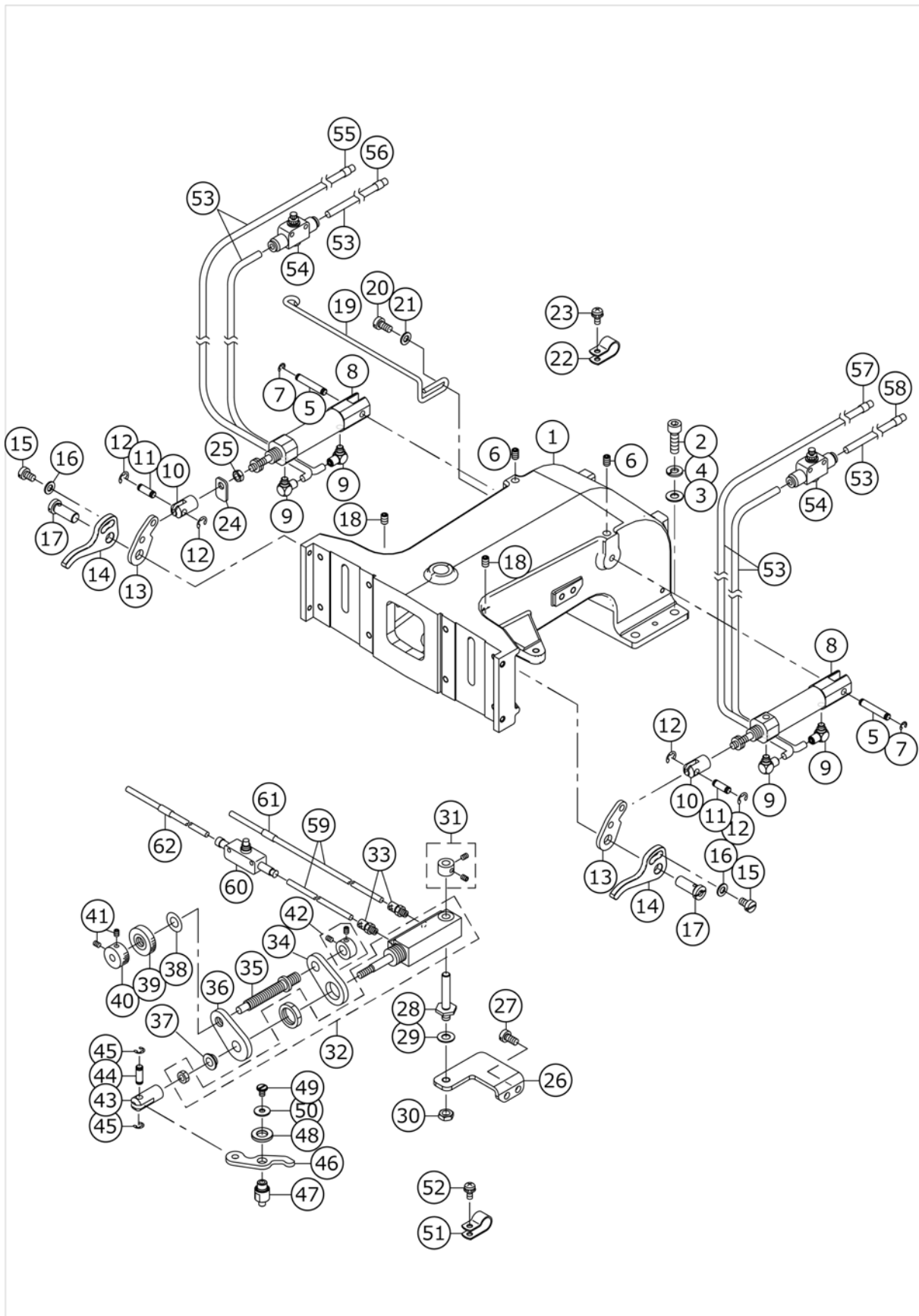
X-Y COMPONENTS (2)



No.	品番	品名	備考	子部品	消耗品	個数
1	40196031	Y_FEED_BASE				1.00
2	40196032	Y_FEED_BASE				1.00
3	SM6030802TP	SCREW M3X0.5 L=8				16.00
4	WP0320500SD	M3 WASHER				16.00
5	SM6041002TP	SCREW M4X0.7 L=10				4.00
6	NM6040003SD	NUT M4X0.7 TYPE3				4.00
7	40196030	BELT_RECEIVER				2.00
8	SM6051202TP	SCREW M5X0.8 L=12				4.00
9	WP0531000SD	WASHER M5				4.00
10	40201534	Y_BELT_PRESSER_FIX_PLATE				2.00
11	SM6051402TP	SCREW M5X0.8 L=14				4.00
12	WP0531000SD	WASHER M5				4.00
13	40196011	Y_LINEAR_GUIDE				3.00
14	SM6040802TP	SCREW M4X0.7 L=8				27.00
15	40196025	Y_DRIVE_SPROCKET				2.00
16	SM8060612TP	SCREW M6 L=6				8.00
17	40196014	Y_TIMING_BELT				2.00
18	40196044	Y_DRIVEN_BRACKET				2.00
19	SM6053002TP	SCREW M5X0.8 L=30				4.00
20	SM6053502TP	SCREW				4.00
21	WP0531000SD	WASHER M5				8.00
22	SM6052502TP	SCREW M5X25				2.00
23	WP0531000SD	WASHER M5				2.00
24	SB112000600	BEARING				4.00
25	40196024	Y_DRIVEN_SPROCKET				2.00
26	40196045	Y_DRIVEN_SHAFT				2.00
27	SM8050512TP	SCREW				4.00
28	40006317	LOWER SHAFT GEAR RING				2.00
29	40197426	Y_DRIVE_SHAFT				1.00
30	SB115001000	BEARING				4.00
31	40196017	Y_DRIVEN_GEAR				1.00
32	SM80608A2TP	SCREW M6 L=8				2.00
33	40196018	Y_DRIVE_GEAR				1.00
34	SM8060602TP	SCREW M6X6				2.00
35	B2537221D00	Y DRIVE WHEEL SPACER				2.00
36	40189342	STEPPING MOTOR B				1.00
37	40196042	Y_MOTOR_INSTALLING_PLATE				1.00
38	SM6052002TP	SCREW M5X0.8 L=20				4.00
39	WP0531000SD	WASHER M5				4.00
40	SM6040650TP	SCREW				2.00
41	SB412000100	BEARING				1.00
42	HX00150000F	CABLE CLAMP				1.00
43	SL4040891SC	SCREW M4X8				1.00
44	40202424	CODE_GUIDE_COVER_RIGHT				1.00
45	40202425	CODE_GUIDE_COVER_LEFT				1.00
46	HX00150000F	CABLE CLAMP				2.00
47	SL6041092TN	SCREW M4 L=10				1.00
48	SL6040892TN	SCREW M4 L=8				3.00
49	SL6041092TN	SCREW M4 L=10				1.00
50	40190142	SENSOR ASSY				1.00

51	40190140	SENSOR RELAY CABLE A ASSY				1.00
52	SL4031091SC	SCREW M3 L=10				1.00
53	40197420	X_SENSOR_INSTALLING_PLATE				1.00
54	SL4030891SC	SCREW M3 L=8				2.00
55	40204997	Y_SLIT_PLATE_2516	FOR 2516			1.00
56	SM6030602TP	SCREW M3X0.5 L=6				2.00
57	WP0320501SD	WASHER				2.00
58	40190142	SENSOR ASSY				1.00
59	40190140	SENSOR RELAY CABLE A ASSY				1.00
60	SL4031091SC	SCREW M3 L=10				1.00
61	40204985	Y_SENSOR_INSTALLING_PLATE				1.00
62	EA9500B0100	CABLE BAND				1.00
63	SL6040892TN	SCREW M4 L=8				2.00
64	40197423	Y_SLIT_PLATE	FOR 3020			1.00
65	HX00150000D	CABLE CLIP	FOR 3020			1.00
66	SL4041091SC	SCREW M4 L=10	FOR 3020			2.00
67	HX00150000D	CABLE CLAMP	FOR 2516			2.00
68	HX00150000H	CABLE CLAMP				1.00
69	SL4041091SC	SCREW M4 L=10	FOR 2516			3.00
70	EA9500B0100	CABLE BAND				8.00
71	40208790	Y_STOPPER_STAY	FOR 2516			1.00
72	SM6041802TP	SCREW M4 L=18	FOR 2516			1.00
73	WP0480856SP	WASHER 4.8X8.4X0.8	FOR 2516			1.00
74	40202428	CODE_PRESSER_PLATE				1.00
75	SM6040802TP	SCREW M4X0.7 L=8				1.00

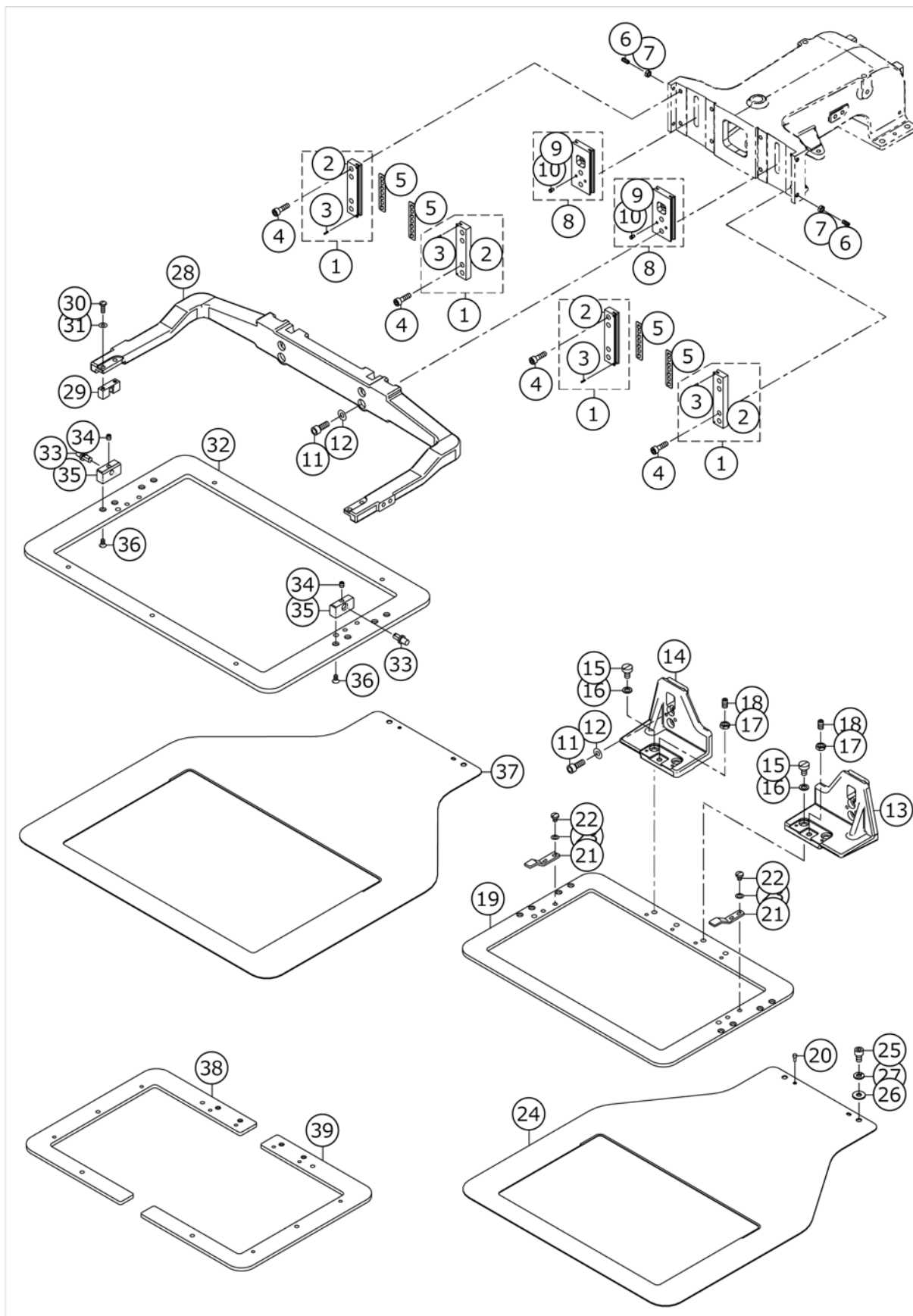
CLOTH FEED MECHANISM COMPONENTS (1)



No.	品番	品名	備考	子部品	消耗品	個数
1	40196142	CLOTH_FEED_BASE				1.00
2	SM6062002TP	SCREW M6 L=20				4.00
3	WP0621016SD	WASHER 6.2X13X1				4.00
4	WS0610002KP	SPRING WASHER				4.00
5	B1504210000	CONNECTING SHAFT				2.00
6	SM8050812TP	SCREW M5X8				2.00
7	RE0320000K0	E-RING 3.2				2.00
8	PA1602509A0	AIR CYLINDER				2.00
9	PJ046052503	HOSE ELBOW				4.00
10	40023644	CYLINDER KNUCKLE				2.00
11	40023635	CYLINDER PIN				2.00
12	RE0300000K0	E-RING 3				4.00
13	40032229	LIFTING_LEVER_A				2.00
14	40085820	LIFTING_LEVER_B				2.00
15	SM6051000SP	SCREW				2.00
16	WP0531000SD	WASHER M5				2.00
17	26023408	FEED STUD				2.00
18	SM8050812TP	SCREW M5X8				2.00
19	B2568223C00	AIR TUBE SUPPORT				1.00
20	SM6051000SP	SCREW				2.00
21	WP0531000SD	WASHER M5				2.00
22	HX00150000D	CABLE CLAMP	TYPE 2516S			2.00
23	SL4041091SC	SCREW M4 L=10	TYPE 2516S			2.00
24	B2530215000	PRESSER PLATE	TYPE 2516L			1.00
25	NM6050003SC	NUT M5X0.8 TYPE3	TYPE 2516L			1.00
26	40196149	INSTALLING_PLATE	TYPE 2516L			1.00
27	SM6051000SP	SCREW	TYPE 2516L			2.00
28	40034185	SHAFT	TYPE 2516L			1.00
29	WP0650876SD	WASHER 6.5X13X0.8	TYPE 2516L			1.00
30	NM6060003SC	NUT M6X1 TYPE3	TYPE 2516L			1.00
31	B25792290A0	THRUST BEARING	TYPE 2516L			1.00
32	PA1602510A0	AIR CYLINDER	TYPE 2516L			1.00
33	PJ032052503	HOSE NIPPLE	TYPE 2516L			2.00
34	B2518215000	BRACKET	TYPE 2516L			1.00
35	B2527215000	REGULATION SCREW	TYPE 2516L			1.00
36	B2518215A00	REGULATION PLATE	TYPE 2516L			1.00
37	B2548215000	BUSHING	TYPE 2516L			1.00
38	WP0820816SD	WASHER 8.2X16X0.8	TYPE 2516L			1.00
39	B3012816000	NUT	TYPE 2516L			1.00
40	B2304205000	KNOB	TYPE 2516L			1.00
41	SS8110422TP	SCREW 11/64-40 L=4	TYPE 2516L			2.00
42	CS079073BSH	THRUST COLLAR ASM. D=7.94 W=7	TYPE 2516L			1.00
43	B1625220000	CYLINDER KNUCKLE	TYPE 2516L			1.00
44	40023635	CYLINDER PIN	TYPE 2516L			1.00
45	RE0300000K0	E-RING 3	TYPE 2516L			2.00
46	B2516215000	LEVER	TYPE 2516L			1.00
47	40032231	DRIVING_LINK_SHAFT	TYPE 2516L			1.00
48	B185351200EA	HOOK SHAFT WASHER	TYPE 2516L			1.00
49	SM6040650TP	SCREW	TYPE 2516L			1.00
50	WP0431005SP	PLAIN WASHER	TYPE 2516L			1.00

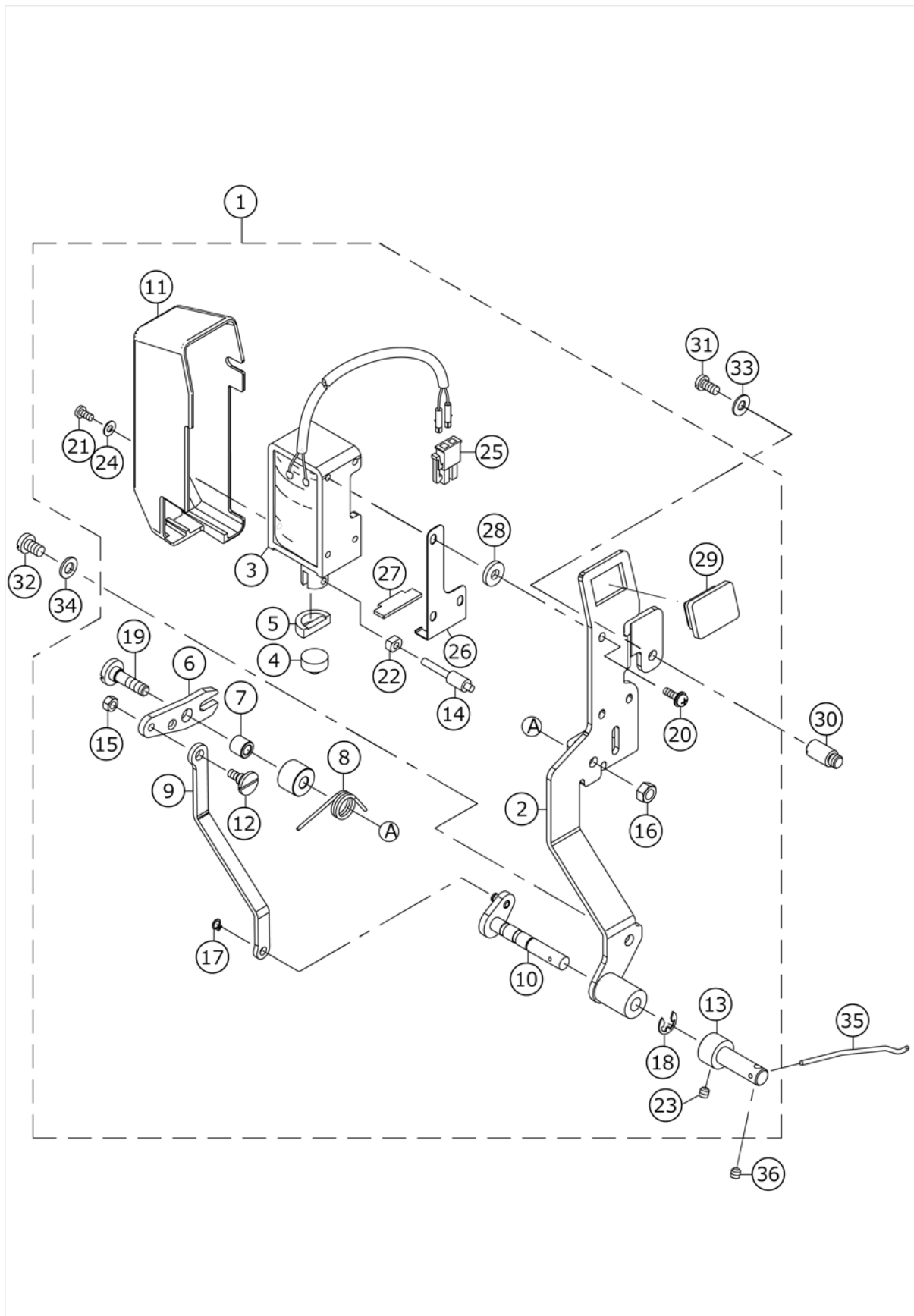
51	HX00150000D	CABLE CLAMP				2.00
52	SL4041091SC	SCREW M4 L=10				2.00
53	BT0400251EB	URETHANE TUBE BLACK 4X2.5				9.77
54	PC012401000	SPEED CONTROLLER	TYPE S			2.00
55	B471122000C	AIR TUBE LABEL J03 LEFT				1.00
56	B471122000D	AIR TUBE LABEL J04 LEFT				1.00
57	B471122000G	AIR TUBE LABEL J03 RIGHT				1.00
58	B471122000H	AIR TUBE LABEL J04 RIGHT				1.00
59	BT0400251EB	URETHANE TUBE BLACK 4X2.5	TYPE L			4.47
60	PC012401000	SPEED CONTROLLER	TYPE L			1.00
61	B471122000E	AIR TUBE LABEL J05	TYPE L			1.00
62	B471122000F	AIR TUBE LABEL J06	TYPE L			1.00

CLOTH FEED MECHANISM COMPONENTS (2)



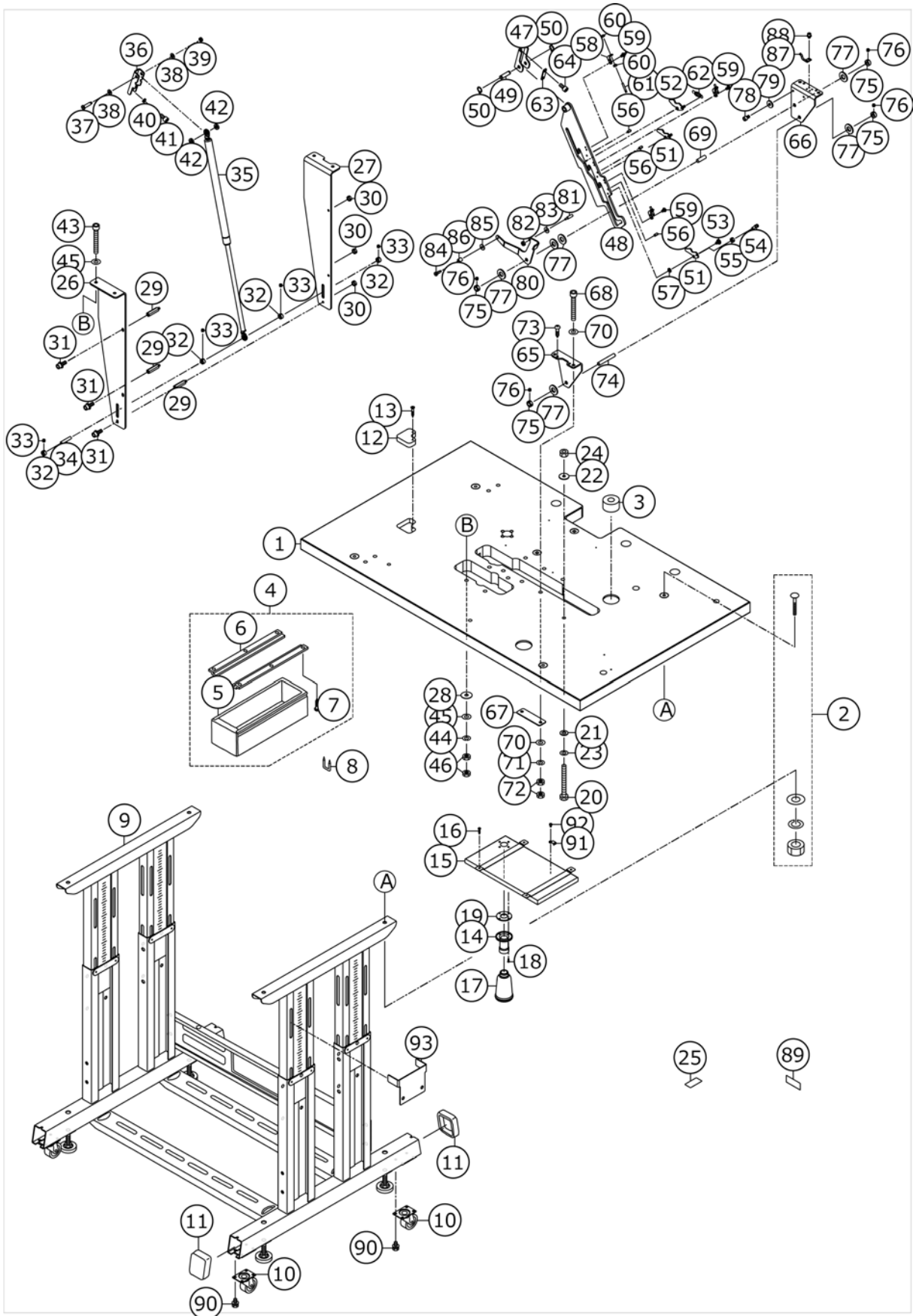
No.	品番	品名	備考	子部品	消耗品	個数
1	B2567223CA0	WORK CLAMP FOOT PLATE B ASM.				4.00
2	B2567223C00	WORK CLAMP FOOT PLATE B		*		1.00
3	PS0150065KP	SPRING PIN 1.5X6		*		2.00
4	SM6051802TP	SCREW M5 L=18				8.00
5	B2569229000	SLIDING PLATE BEARING				4.00
6	SM8041012TP	SCREW M4 L=10				4.00
7	NM6040000SN	NUT M4 TYPE1				4.00
8	40085830	SLIDE_PLATE_ASM.				2.00
9	40085824	SLIDE_PLATE		*		1.00
10	B1816280000	GUIDE PIN		*		2.00
11	SM6061602TP	SCREW M6 L=16				4.00
12	WP0641600SC	WASHER 6.4X12.5X1.6				4.00
13	40197439	RECEIVER_PLATE_RIGHT	TYPE 2516L			1.00
14	40197438	RECEIVER_PLATE_LEFT	TYPE 2516L			1.00
15	SM6061010TP	SCREW M6 L=10				4.00
16	WP0651056SD	WASHER 6.5X11X1				4.00
17	NM6060003SC	NUT M6X1 TYPE3				2.00
18	SM8061002TP	SCREW M6 L=10				2.00
19	40032842	FEEDING_FRAME_2516				1.00
20	B1816280000	GUIDE PIN				2.00
21	B2558220000	PLASTIC BLANK PLATE				2.00
22	SM4050655SP	SCREW M5 L=6				4.00
23	WP0531000SD	WASHER M5				4.00
24	40196148	LOWER_PLATE_2615				1.00
25	SM6061002TP	SCREW M6 L=10				2.00
26	WP0611626SP	WASHER 15X6X1.6				2.00
27	WS0610002KP	SPRING WASHER				2.00
28	40196143	OUTOR_FRAME_ARM	TYPE 3020			1.00
29	40051770	FEEDING FRAME BALL CATCH	TYPE 3020			2.00
30	SM4041055SP	SCREW	TYPE 3020			4.00
31	WP0450000SD	WASHER 4.5X8X0.5	TYPE 3020			4.00
32	40032843	FEEDING_FRAME_3020	TYPE 3020			1.00
33	B2560220000	SUPPORT PIN	TYPE 3020			2.00
34	SM8050512TP	SCREW	TYPE 3020			2.00
35	40051769	FEEDING FRAME SUPPORT BEARING	TYPE 3020			2.00
36	SM1040870TP	SCREW	TYPE 3020			4.00
37	40196147	LOWER_PLATE_3020	TYPE 3020			1.00
38	40032844	2_STEP_FEEDING_FRAME_2516	TYPE 2516L			1.00
39	40044329	2_STEP_FEEDING_FRAME_2516_B	TYPE 2516L			1.00

WIPER MECHANISM COMPONENTS



No.	品番	品名	備考	子部品	消耗品	個数
1	40196120	WIPER_ASM				1.00
2	40086355	WIPER_BASE_ASM		*		1.00
3	40191562	WIPER_SOLENOID_ASM_221		*		1.00
4	22955900	WIPER RUBBER A		*		1.00
5	22956007	WIPER RUBBER B		*		1.00
6	40086350	WIPER_LINK_A		*		1.00
7	40086353	WIPER_HINGE_SCREW_COLLAR		*		1.00
8	40086349	WIPER_SPRING		*		1.00
9	40086357	WIPER_LINK_B		*		1.00
10	40086358	WIPER_DRIVING_SHAFT_ASM		*		1.00
11	40196122	WIPER_COVER		*		1.00
12	22956908	WIPER LINK B HINGE SCREW		*		1.00
13	40086354	WIPER_SHAFT_CAP		*		1.00
14	40086352	WIPER_SOLENOID_SHAFT		*		1.00
15	NS6090310SP	HEXAGONAL NUT 9/64-40		*		1.00
16	NM6050001SC	NUT M5X0.8 TYPE1		*		1.00
17	RC0370411KP	C-RING 4 (3.7)		*		1.00
18	RE0500000K0	E-RING		*		1.00
19	40086351	SHOULDER_SCREW		*		1.00
20	SL4031091SC	SCREW M3 L=10		*		3.00
21	SM4030601SN	SCREW M3X6		*		1.00
22	40091894	SLIDE_BLOCK		*		1.00
23	SM8040412TP	SCREW M4X4		*		1.00
24	WP0320501SC	WASHER M3		*		1.00
25	HK034610020	CONNECTOR		*		1.00
26	40037500	RUBBER HOLDER		*		1.00
27	40037501	STOPPER_RUBBER		*		1.00
28	WP0482086SD	WASHER 4.8X11.5X2		*		3.00
29	40086678	WIPER_SW_RUBBER		*		1.00
30	40025440	WIPER_STUD_TOP				1.00
31	SM4040855SP	SCREW				1.00
32	SM4050855SP	SCREW				1.00
33	WP0450801SD	WASHER 4.5X10X0.8				1.00
34	WP0531001SC	WASHER M5				1.00
35	40208385	WIPER				1.00
36	SM8040412TP	SET SCREW M4 L=4				1.00

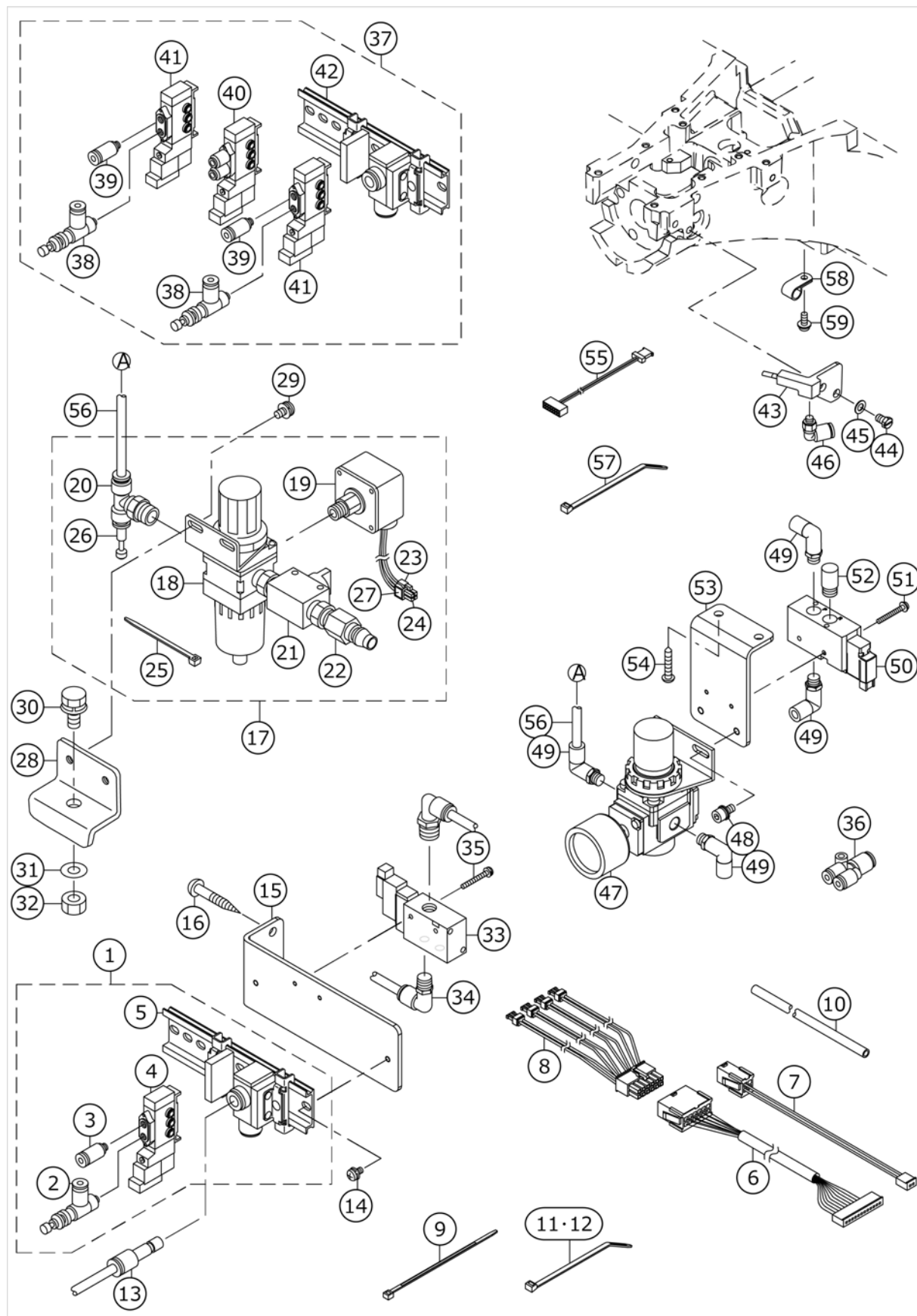
TABLE COMPONENTS



No.	品番	品名	備考	子部品	消耗品	個数
1	40209255	TABLE				1.00
2	MTJMS00000S	MOUNTING BOLT ASM.				4.00
3	G5151171000	CUSHION				2.00
4	11155157	DRAWER ASM.				1.00
5	11155108	DRAWER		*		1.00
6	11155207	DRAWER SUPPORT		*		2.00
7	SK3311600SE	WOOD SCREW D=3.1 L=16		*		6.00
8	D8204555D00	DRAWER STOPPER				1.00
9	40200220	STAND ASM.				1.00
10	B8150221D00	CASTER				4.00
11	B8110373N00	CAP				4.00
12	B8171223C00	RUBBER ABSORBER				1.00
13	SK1382501SE	WOOD SCREW D=3.8 L=25				1.00
14	B8202205000	OIL MANAGEMENT				1.00
15	40196134	OI_RECEIVE_PLATE				1.00
16	SK3382001SE	WOOD SCREW D=3.8 L=20				4.00
17	B9121012000	OIL CAN				1.00
18	SM1031001SC	SCREW M3X0.5 L=10				4.00
19	B8112220000	OIL SEAL				1.00
20	SM9087533SC	SCREW M8 L=75				1.00
21	WP0841600SE	WASHER 8.4X15.5X1.6				1.00
22	WP0852086SC	WASHER M8				1.00
23	WS0820002KN	SPRING WASHER M8				1.00
24	NM6080001SC	NUT M8X1.25				1.00
25	16870206	GRAVITY SEAL				1.00
26	40196135	LIFTER_BRACKET_A				1.00
27	40196136	LIFTER_BRACKET_B				1.00
28	B1628191B00	BODY CAP				4.00
29	40016705	OIL_TANK_STUD_A				3.00
30	NM6060003SC	NUT M6X1 TYPE3				3.00
31	SL6061692TN	SCREW M6 L=16				3.00
32	CS0800881TP	THRUST COLLAR D=8 W=8				4.00
33	SM8050412TP	SCREW M5 L=4				8.00
34	B2539223C00	X IDLER SHAFT				1.00
35	40196137	GAS_SPRING				1.00
36	40197417	LIFTER_BRACKET_C				1.00
37	40089784	SHOULDER_SCREW				1.00
38	B1223771000	NEEDLE ROD CRANK WASHER				2.00
39	NM6060001SC	NUT M6X1 TYPE1				1.00
40	WS0610002KP	SPRING WASHER				2.00
41	SM6061202TN	SCREW				2.00
42	40051536	CUSHION				2.00
43	SM6086002TP	SCREW				4.00
44	WS0820002KN	SPRING WASHER M8				4.00
45	WP0850002SP	WASHER 8.5X18X1.6				8.00
46	NM6080003SC	NUT M8X1.25 TYPE3				8.00
47	40089785	TOP_STOPPER_BASE				1.00
48	40217210	STOPPER_PLATE_ASM				1.00
49	40091078	PIVOT_SHAFT				1.00
50	RC0100001KP	SNAP RING M10				2.00

51	40089790	GUIDE_PLATE_B				2.00
52	40089789	GUIDE_PLATE_A				1.00
53	SD0600326TP	SHOULDER SCREW D6 H3.2				3.00
54	40011926	SPRING_HOOK				3.00
55	NM6040001SC	NUT M4X0.7 TYPE1				3.00
56	PS0400082KP	SPRING_PIN				3.00
57	10523702	WASHER				3.00
58	40086365	SPRING_HOOK_BRACKET				3.00
59	SM4040655SP	SCREW M4 L=6				6.00
60	NS6110310SP	HEXAGONAL NUT 11/64-40				6.00
61	26226506	SPRING_HOOK				3.00
62	13888201	SPRING				3.00
63	40091083	SPACER_A				1.00
64	SM6061202TN	SCREW				2.00
65	40217172	BOTTOM_STOPPER_BASE_A				1.00
66	40217173	BOTTOM_STOPPER_BASE_B				1.00
67	40089792	SPACER_B				2.00
68	SM6086002TP	SCREW				4.00
69	40217174	GUIDE_PIN				1.00
70	WP0850002SP	WASHER 8.5X18X1.6				8.00
71	WS0820002KN	SPRING WASHER M8				4.00
72	NM6080003SC	NUT M8X1.25 TYPE3				8.00
73	SK3582501SE	WOOD SCREW D=5.8 L=25				4.00
74	40089791	GUIDE_PIN				1.00
75	CS1000881TP	THRUST COLLAR				4.00
76	SM8050412TP	SCREW M5 L=4				8.00
77	WP1022016SH	WASHER				6.00
78	SM6050802TP	SCREW M5X0.8 L=8				2.00
79	WP0522016SH	WASHER				2.00
80	40217175	RELEASE_LEVER				1.00
81	40011205	STUD				1.00
82	NM6040001SC	NUT M4X0.7 TYPE1				1.00
83	WP0431005SP	PLAIN WASHER 4.3X12X1				1.00
84	SD0601406TP	SHOULDER SCREW D=6 H=14				1.00
85	WP0431005SP	PLAIN WASHER 4.3X12X1				1.00
86	GAW01502000	OILLESS SHAFT HOLDER				1.00
87	40091076	LOCK_SPRING				1.00
88	SL6040692TN	SCREW M4 L=6				2.00
89	40115714	ATTESTATION_STICKER	TYPE K			1.00
90	SL9061291SE	WASHER HEXAGONAL BOLT M6 L=12				16.00
91	B3509210000	OIL TUBE HOLDER C				1.00
92	SM6040602TP	SCREW M4X0.7 L=6				1.00
93	40218190	SUPPERT PLATE				1.00

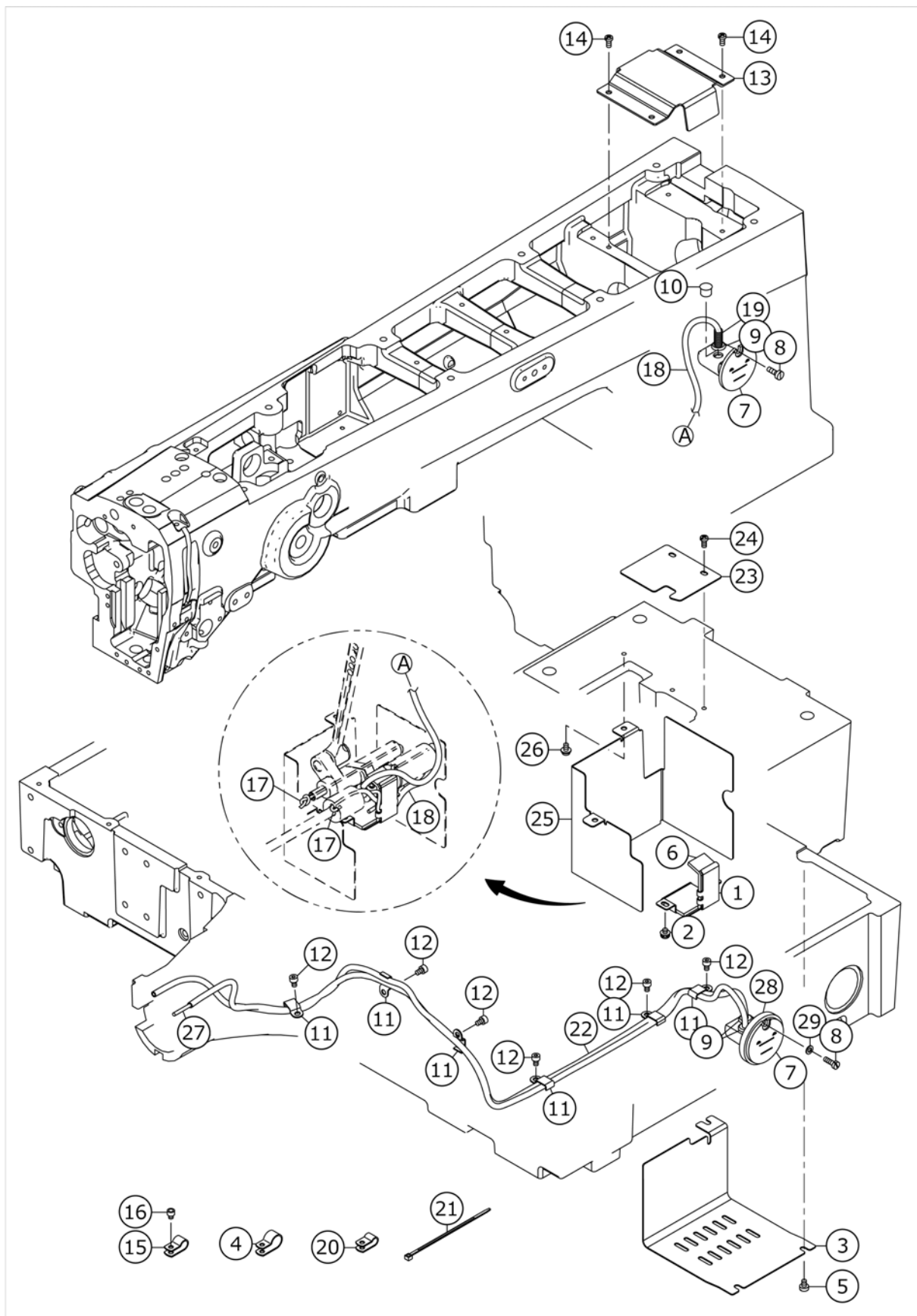
PNEUMATIC COMPONENTS



No.	品番	品名	備考	子部品	消耗品	個数
1	40032232	SOLENOID_VALVE_A_ASM				1.00
2	PF070501000	PRESSURE DECREASING VALVE		*		1.00
3	PJ301040505	HALF UNION		*		1.00
4	PV150209100	SOLENOID VALVE		*		1.00
5	PV915005000	SOLENOID VALVE INSTALLING BASE		*		1.00
6	40081601	AIR RELAY CABLE ASM				1.00
7	40093109	AIR SW CABLE ASM				1.00
8	40048529	VALVE RERAY COAD ASM				1.00
9	EA9500B0100	CABLE BAND				1.00
10	BT0600401EB	URETHANE TUBE BLACK 6X4				0.85
11	HX002330000	CABLE BAND				10.00
12	HX00233000B	CABLE BAND				1.00
13	PJ301060003	REDUCER				1.00
14	SL4040891SC	SCREW M4X8				2.00
15	40196132	SORENOID_VALVE_FITTING_BASE				1.00
16	SK3452500SC	WOOD SCREW D=4.5 L=25				2.00
17	40030951	FILTER_REGULATOR_ASM.				1.00
18	PF0552040B0	FILTER REGULATOR		*		1.00
19	G8124270000	AIR PRESSUE SWITCH		*		1.00
20	PJ305065202	DOUBLE-ENDED T		*		1.00
21	PV015211000	HAND VALVE		*		1.00
22	PJ025200003	PLUG		*		1.00
23	HK034610040	CONNECTOR		*		1.00
24	HK034640000	TERMINAL		*		3.00
25	EA9500B0100	CABLE BAND		*		5.00
26	PX950009000	PLUG		*		1.00
27	E2678453000	CONNECTOR MARKER J78		*		1.00
28	40023662	FILTER INSTALLING PLATE				1.00
29	SL4051091SC	SCREW M5 L=10				2.00
30	SL9082093SE	SCREW M8 L=20				1.00
31	WP0871602SE	WASHER 8.7X18X1.6				1.00
32	NM6080721SE	NUT M8				1.00
33	PV135129000	3-PORT SOLENOID VALVE				1.00
34	PJ304065101	ELBOW UNION 6XPT1/8				2.00
35	SL4032591SC	SCREW M3 L=25				2.00
36	PJ308040007	UNION Y	TYPE S			2.00
37	40032233	SOLENOID_VALVE_B_ASM	TYPE L			1.00
38	PF070501000	MINIATURE DECOMPRESSION VALVE	TYPE L	*		2.00
39	PJ301040505	HALF UNION	TYPE L	*		2.00
40	PV150209000	5-PORT SOLENOID VALVE	TYPE L	*		1.00
41	PV150209100	SOLENOID VALVE	TYPE L	*		2.00
42	PV915005000	SOLENOID VALVE INSTALLING BASE	TYPE L	*		1.00
43	40214056	AIR BLOW BLOCK ASM				1.00
44	SM9050850SP	SCREW				2.00
45	WP0520656SA	WASHER 5.2X9.5X0.6				2.00
46	PJ304040505	UNION				1.00
47	PF0251100A0	REGULATOR				1.00
48	SL6051092TN	SCREW M5 L=10				2.00
49	PJ304065101	ELBOW UNION 6XPT1/8				4.00
50	PV135129000	3-PORT SOLENOID VALVE				1.00

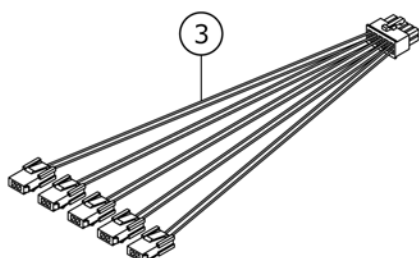
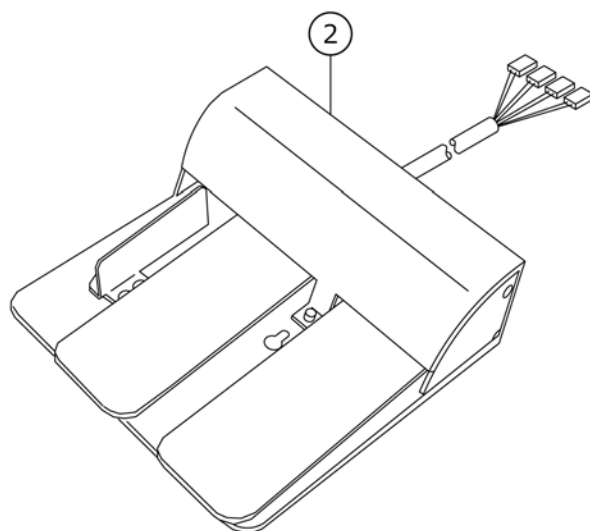
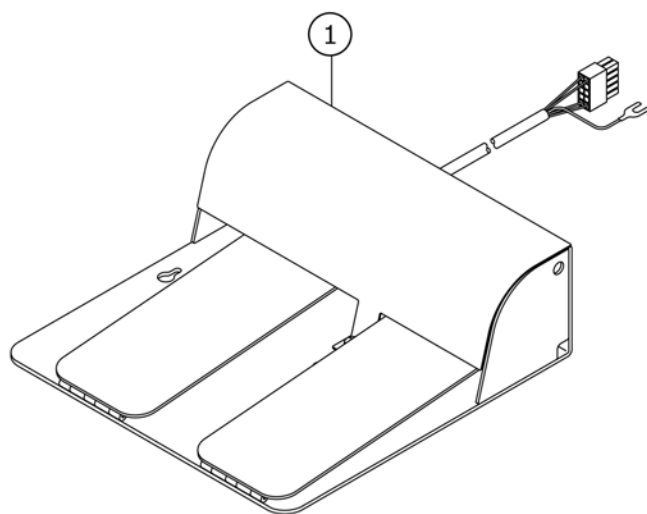
51	SL4032591SC	SCREW M3 L=25				2.00
52	PX055103000	SILENCER				1.00
53	40202422	SOLENOID_INSTALLING_PLATE				1.00
54	SK3452500SC	WOOD SCREW D=4.5 L=25				2.00
55	40190130	SOLENOID VALVE CABLE ASM				1.00
56	BT0600401EB	URETHANE TUBE BLACK 6X4				2.67
57	HX00233000B	CABLE BAND				2.00
58	HX00150000C	CABLE CLAMP				1.00
59	SL4041091SC	SCREW M4 L=10				1.00

OIL LUBRICATION COMPONENTS



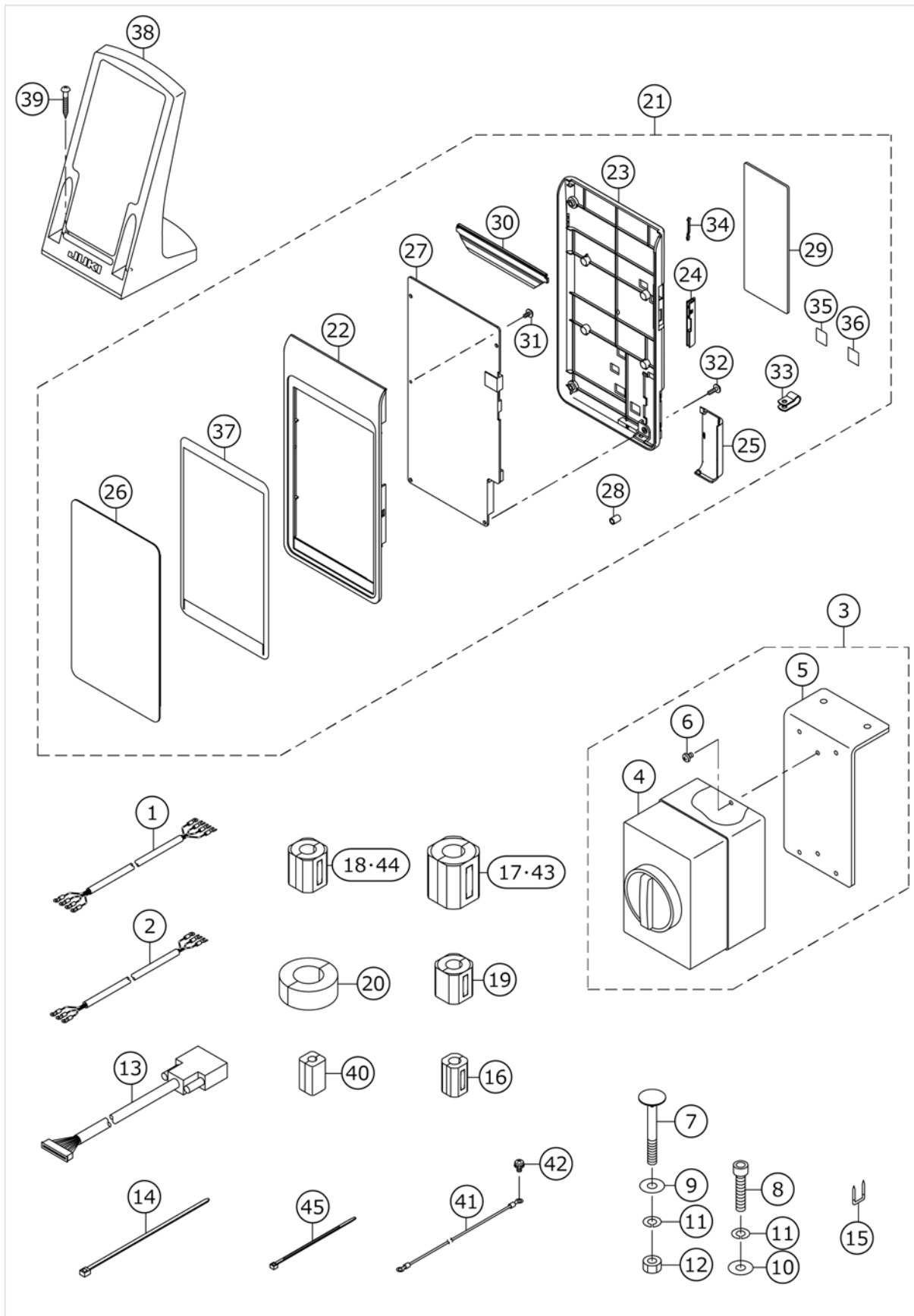
No.	品番	品名	備考	子部品	消耗品	個数
1	40196056	GEAR_COVER				1.00
2	SL4040681SC	SCREW M4 L=6				5.00
3	40196057	Y_MOTOR_OIL_GUARD				1.00
4	HX00150000E	CABLE CLAMP				1.00
5	SM6040650TP	SCREW				3.00
6	40196058	GEAR_FELT				1.00
7	40006836	OIL TANK ASM.				2.00
8	SM6041200SP	SCREW				2.00
9	40006840	RUBBER BUSH				3.00
10	TA0950806R0	RUBBER PLUG				1.00
11	B3509210000	OIL TUBE HOLDER C				6.00
12	SM6040602TP	SCREW M4X0.7 L=6				6.00
13	40010405	CRANK_ROD_COVER				1.00
14	SM4040855SP	SCREW				2.00
15	HX00150000C	CABLE CLAMP				2.00
16	SM6040602TP	SCREW M4X0.7 L=6				2.00
17	CQ202000000	COTTON OIL WICK D=2				0.50
18	23630007	TUBE				0.28
19	40066880	LOOPER THROW OUT PLUNGER SPRING				1.00
20	HX00150000B	CABLE CLAMP				1.00
21	EA9500B0100	CABLE BAND				1.00
22	23630007	TUBE				0.40
23	40211024	OIL_GUARD_B				1.00
24	SM4040855SP	SCREW				2.00
25	40208384	OIL_GUARD				1.00
26	SL4040891SC	SCREW M4X8				2.00
27	CQ200000000	COTTON OIL WICK D=2				0.60
28	40221311	OIL TANK SPACER				1.00
29	WP0430800SD	WASHER M4				1.00

PEDAL COMPONENTS



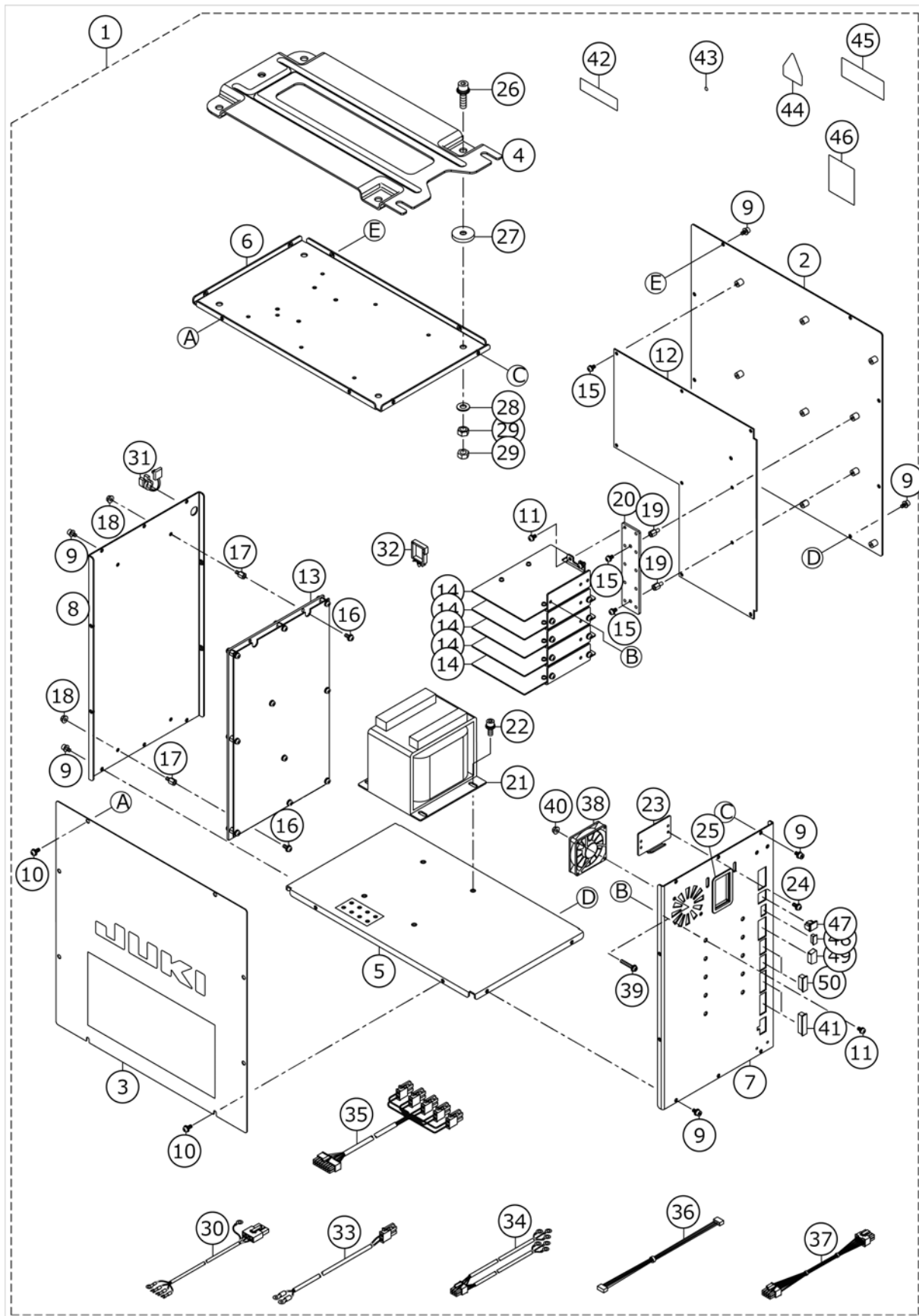
No.	品番	品名	備考	子部品	消耗品	個数
1	40033831	PK78 PEDAL SWITCH ASM				1.00
2	GPK470010AB	3-PEDAL ASM.				1.00
3	40033875	PK47 RELAY CABLE ASM				1.00

OPERATION PANEL COMPONENTS



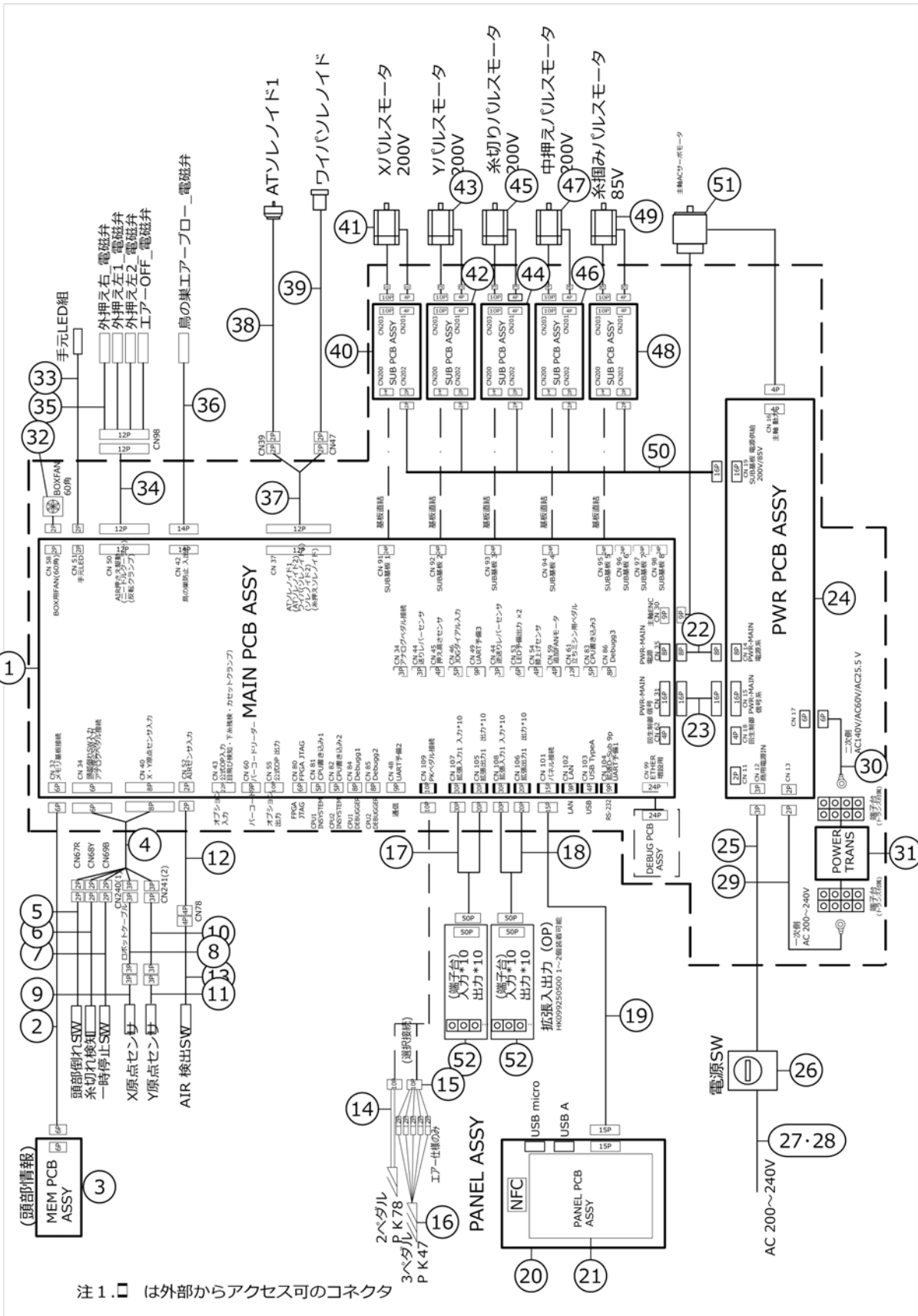
No.	品番	品名	備考	子部品	消耗品	個数
1	40086469	POWER CABLE 3P ASSY	FOR 3-PHASE			1.00
2	40086470	POWER CABLE 1P ASSY	FOR 1-PHASE			1.00
3	40191948	POWER SWITCH ASM.				1.00
4	KA005820000	POWER SWITCH		*		1.00
5	40081603	SWITCH INSTALLATION BOARD		*		1.00
6	SL4041091SE	SCREW M4 L=10		*		2.00
7	MTSHJ100003	BOLT				2.00
8	SM6084002TN	SCREW M8 L=40				1.00
9	WP0852086SC	WASHER M8				2.00
10	WP0841601SC	WASHER M8				1.00
11	WS0820002KR	SPRING WASHER				3.00
12	NM6080002SC	NUT M8X1.25 TYPE2				2.00
13	40190134	PANEL CABLE ASSY				1.00
14	EA9500B0200	CABLE BAND				4.00
15	MAO11532000	CORD STAPLE				5.00
16	HN00179000B	CORES	FOR CE			1.00
17	HN004210000	CORES				1.00
18	HN004480000	CORES	FOR CE			2.00
19	HN004350000	CORES	FOR CE			1.00
20	HN004310000	CORES				1.00
21	40192040	PANEL ASSY				1.00
22	40196138	PANEL_COVER_UPPER		*		1.00
23	40204906	PANEL_COVER_UNDER		*		1.00
24	40196140	USB_COVER		*		1.00
25	40204907	POWER_COVER		*		1.00
26	40189339	LCD MODULE		*		1.00
27	40191430	PANEL PCB ASSY		*		1.00
28	40162813	INSERT_NUT		*		4.00
29	40204908	OPERATION_PANEL_MAGNET		*		1.00
30	40172422	INDICATOR		*		1.00
31	SV4030601SR	SCREW M3 L=6		*		1.00
32	40219297	SCREW M3 L=10		*		4.00
33	HX00150000B	CABLE CLAMP		*		1.00
34	40201540	USB COVER UNITY		*		1.00
35	CM600100101	WEEE MARK LABEL S		*		1.00
36	40150131	EAC_MARK_LABEL_S		*		1.00
37	40192047	DOUBLE COATED TAPE A		*		1.00
38	40196009	OPE-BOX FIXED PLATE (B) ASM.				1.00
39	SK3413201SE	WOOD SCREW D=4.1 L=32				2.00
40	HN00179000D	CORES	FOR CE			3.00
41	40178442	FG CABLE ASSY 2	FOR CE			1.00
42	SL4040881SC	SCREW M4 L=8	FOR CE			1.00
43	HN004210000	CORES	FOR CE			3.00
44	HN004480000	CORES				1.00
45	EA9500B0100	CABLE BAND	FOR CE			20.00

CONTROL BOX COMPONENTS



No.	品番	品名	備考	子部品	消耗品	個数
1	40191940	CTL BOX ASSY				1.00
2	40191930	CTL BOX REAR PLATE		*		1.00
3	40191931	CTL_BOX_FRONT_COVER		*		1.00
4	40191932	BOX FITTING PLATE		*		1.00
5	40191935	CTL BOX LOWER PLATE		*		1.00
6	40191936	CTL BOX UPPER PLATE		*		1.00
7	40191937	CTL BOX RIGHT PLATE		*		1.00
8	40191938	CTL BOX LEFT PLATE		*		1.00
9	SL6040892TN	SCREW M4 L=8		*		20.00
10	SL4041091SC	SCREW M4 L=10		*		8.00
11	SL4040881SC	SCREW M4 L=8		*		20.00
12	40191400	MAIN PCB ASSY		*		1.00
13	40191390	PWR PCB ASSY		*		1.00
14	40191420	SUB PCB ASSY		*		5.00
15	SL4040881SC	SCREW M4 L=8		*		9.00
16	SL4041091SC	SCREW M4 L=10		*		4.00
17	HX00339000M	SPACER		*		4.00
18	NM3040520SC	FLANGE NUT M4		*		4.00
19	HX00339000M	SPACER		*		2.00
20	40191414	SUB FITTING PLATE		*		1.00
21	40191914	TRANSFORMER		*		1.00
22	SL6061692TN	SCREW M6 L=16		*		4.00
23	17845009	CORD FITTING PLATE		*		1.00
24	SL4041091SC	SCREW M4 L=10		*		2.00
25	HX004070000	GROMMET		*		1.00
26	SL6083092TN	SCREW M8 L=30		*		4.00
27	M4206461000	WASHER		*		4.00
28	WP0841601SC	WASHER M8		*		4.00
29	NM6080001SC	NUT M8X1.25 TYPE1		*		8.00
30	40190148	AC INPUT CORD T ASSY		*		1.00
31	KX000000320	BUSH		*		1.00
32	HX005110000	WIRE SADDLE		*		5.00
33	40190149	PWR - TRANS P CORD ASSY		*		1.00
34	40190150	PWR - TRANS S CORD ASSY		*		1.00
35	40190151	PWR - SUB CORD ASSY		*		1.00
36	40190152	MAIN - PWR S CORD ASSY		*		1.00
37	40190153	MAIN - PWR P CORD ASSY		*		1.00
38	40111214	FAN MOTOR ASSY		*		1.00
39	SL4042591SC	SCREW M4 L=25		*		2.00
40	NM3040520SC	FLANGE NUT M4		*		2.00
41	HK083100300	CONNECTOR		*		2.00
42	40191447	RATING LABEL DRAWING		*		1.00
43	E9567319000	EARTH MARK		*		2.00
44	CM300400602	VOLTAGE CAUTION LABEL L=25		*		1.00
45	CM300100402	VOLTAGE DANGER LABEL 3 (SMALL)		*		1.00
46	40191926	VOLTAGE SELECTION SEAL		*		1.00
47	HX006600000	DUST COVER		*		1.00
48	HX006670000	DUST COVER		*		1.00
49	HX007380000	DUST COVER		*		1.00
50	HK083100200	CONNECTOR		*		2.00

WIRING DIAGRAM

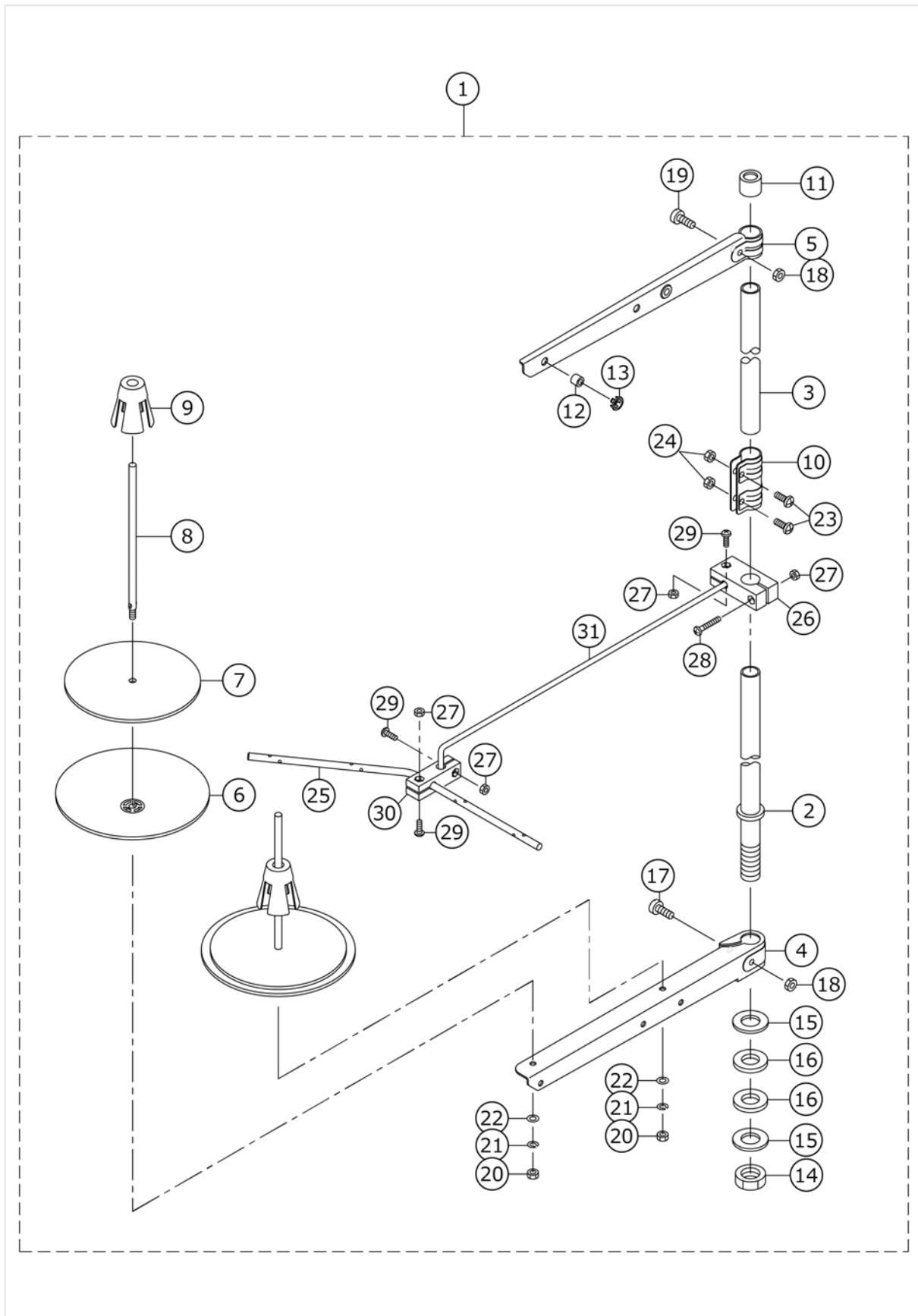


注 1. □ は外部からアクセス可のコネクタ

No.	品番	品名	備考	子部品	消耗品	個数
1	40191400	MAIN PCB ASSY				1.00
2	40190138	MEM CABLE ASSY				1.00
3	40190162	MEM PCB ASSY				1.00
4	40190141	HEAD SENSOR RELAY CABLE ASSY				1.00
5	40212498	SAFETY SW ASM.				1.00
6	40073678	THB SENSOR CABLE ASM				1.00
7	40208044	STOP SWITCH ASM				1.00
8	40190140	SENSOR RELAY CABLE A ASSY				1.00
9	40190142	SENSOR ASSY				1.00
10	40190140	SENSOR RELAY CABLE A ASSY				1.00
11	40190142	SENSOR ASSY				1.00
12	40093109	AIR SW CABLE ASM				1.00
13	40030951	FILTER_REGULATOR_ASM.				1.00
14	40033831	PK78 PEDAL SWITCH ASM				1.00
15	40033875	PK47 RELAY CABLE ASM				1.00
16	GPK470010AB	3-PEDAL ASM.				1.00
17	40190131	EXTI/O CABLE ASSY	OPTIONAL DEVICE			1.00
18	40190131	EXTI/O CABLE ASSY	OPTIONAL DEVICE			1.00
19	40190134	PANEL CABLE ASSY				1.00
20	40192040	PANEL ASSY				1.00
21	40191430	PANEL PCB ASSY		*		1.00
22	40190153	MAIN-PWR P CORD ASSY				1.00
23	40190152	MAIN-PWR S CORD ASSY				1.00
24	40191390	PWR PCB ASSY				1.00
25	40190148	AC INPUT CORD T ASSY				1.00
26	40191948	POWER SWITCH ASM				1.00
27	40086469	POWER CABLE 3P ASSY	FOR 3-PHASE			1.00
28	40086470	POWER CABLE 1P ASSY	FOR CE,GENERAL EXPORT			1.00
29	40190149	PWR-TRANS P CORD ASSY				1.00
30	40190150	PWR-TRANS S CORD ASSY				1.00
31	40191914	TRANSFORMER				1.00
32	40111214	FAN MOTOR ASSY				1.00
33	40197400	LED DEVICE ASM				1.00
34	40081601	AIR RELAY CABLE ASM				1.00
35	40048529	VALVE RERAY COAD ASM				1.00
36	40190130	SOLENOID VALVE CABLE ASM				1.00
37	40190144	SOLENOID RELAY CABLE ASSY				1.00
38	40174350	AT_SOLENOID_A				1.00
39	40196120	WIPER ASM				1.00
40	40191420	SUB PCB ASSY				1.00
41	40189341	STEPPING MOTOR A				1.00
42	40191420	SUB PCB ASSY				1.00
43	40189342	STEPPING MOTOR B				1.00
44	40191420	SUB PCB ASSY				1.00
45	40189343	STEPPING MOTOR C				1.00
46	40191420	SUB PCB ASSY				1.00
47	40189344	STEPPING MOTOR D				1.00

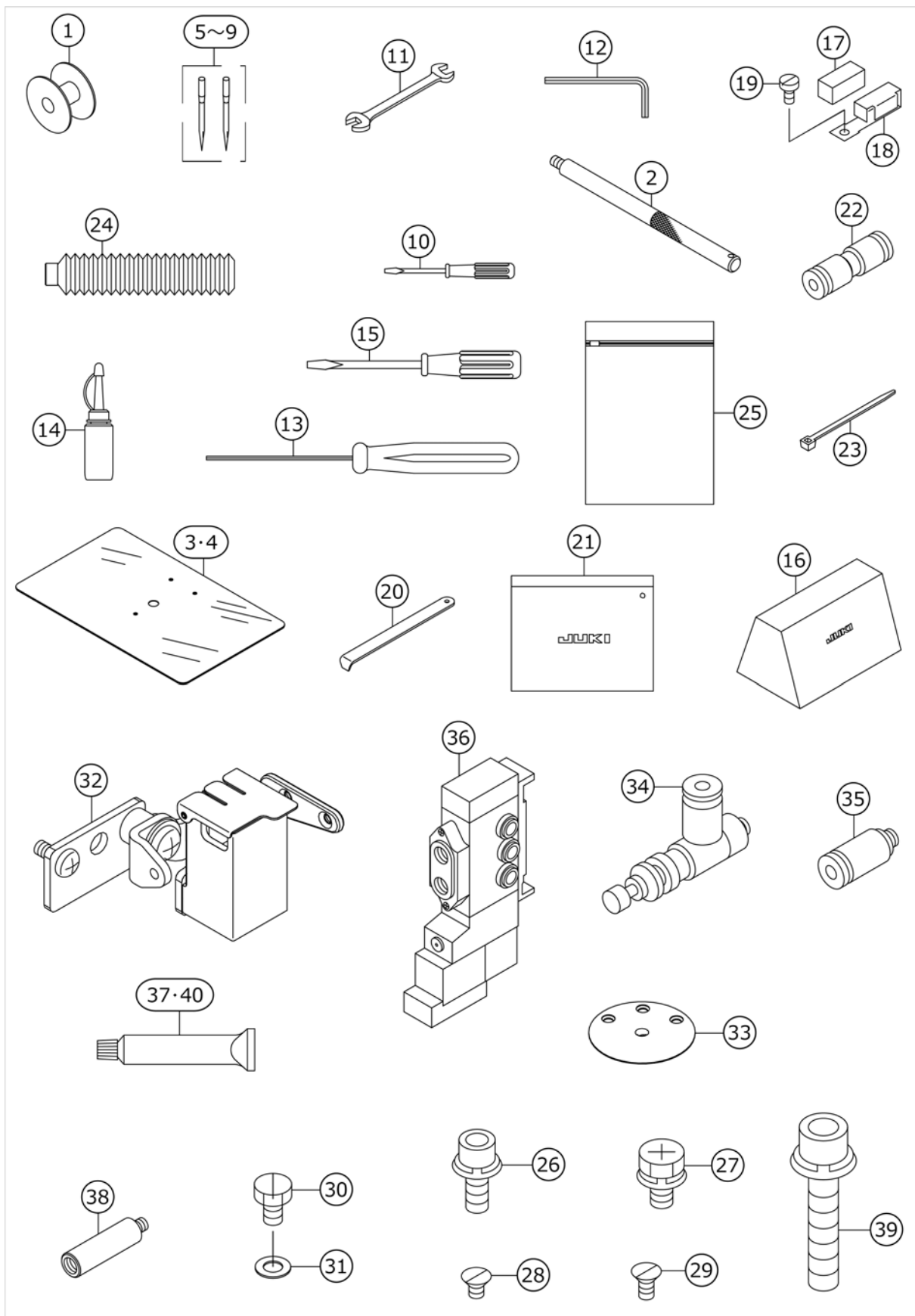
48	40191420	SUB PCB ASSY				1.00
49	40189345	STEPPING MOTOR E				1.00
50	40190151	PWR-SUB CORD ASSY				1.00
51	40052937	550W_SERVO_MOTOR				1.00
52	HK099250500	BLOCK TERMINAL	OPTIONAL DEVICE			2.00

THREAD STAND COMPONENTS



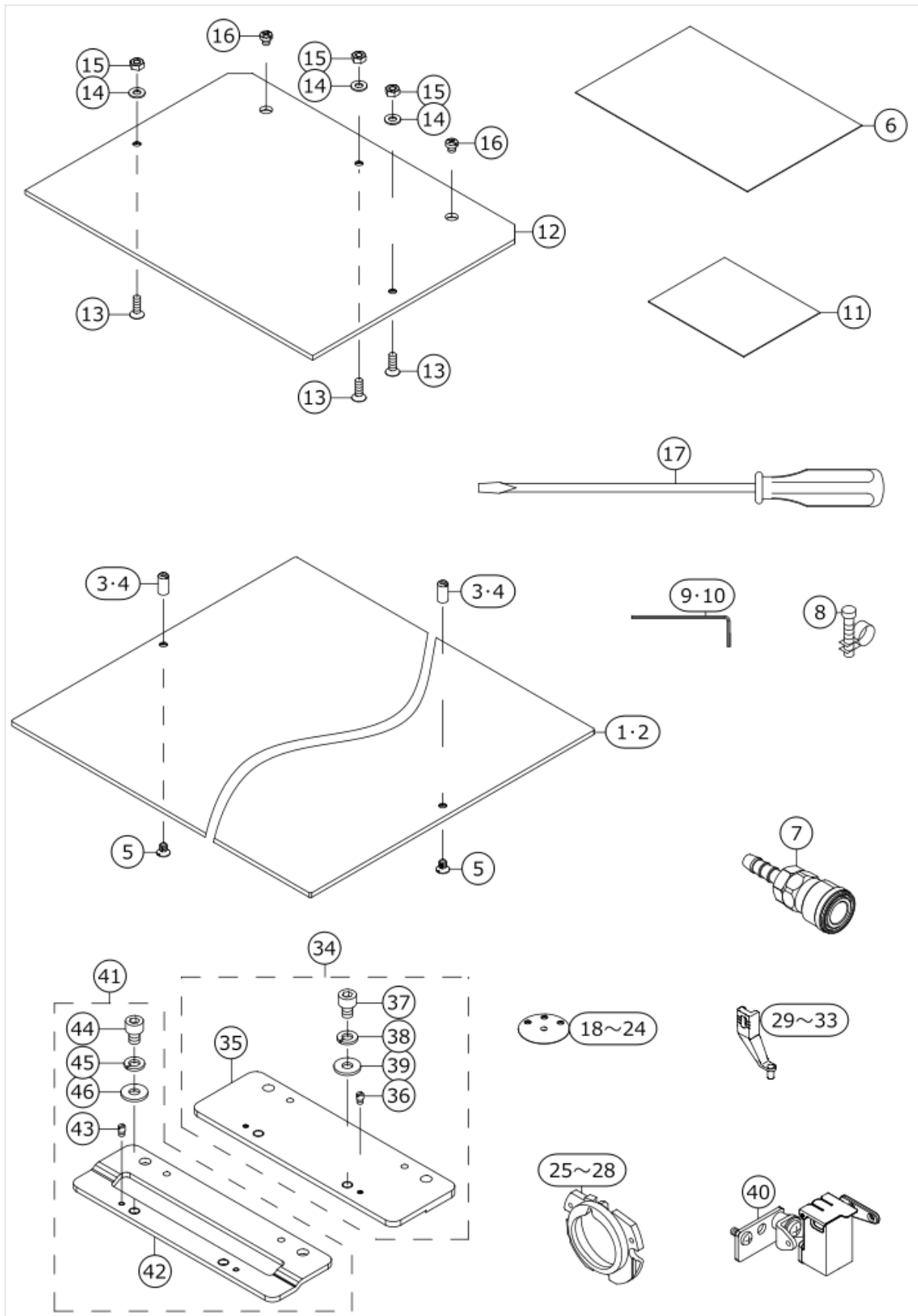
No.	品番	品名	備考	子部品	消耗品	個数
1	40192320	THREAD_STAND_PACKING				1.00
2	40192328	SPOOL_REST_ROD_LOWER		*		1.00
3	40192324	SPOOL_REST_ROD_UPPER		*		1.00
4	40192330	SPOOL_REST_ARM_LOWER		*		1.00
5	40192321	SPOOL_REST_ARM_UPPER		*		1.00
6	40192329	SPOOL_REST		*		2.00
7	40192331	SPOOL_REST_CUSHION		*		2.00
8	40085790	SPOOL_PIN		*		2.00
9	40085791	SPOOL_RETAINER		*		2.00
10	40085792	SPOOL_REST_ROD_JOINT		*		1.00
11	40085793	SPOOL_REST_ROD_RUBBER_CAP		*		1.00
12	40192323	THREAD_GUIDE		*		2.00
13	40192332	THREAD_GUIDE_BUSHING		*		2.00
14	40096325	SPOOL_REST_ROD_NUT		*		1.00
15	WP1612616SE	WASHER_16X30X2.6		*		2.00
16	40085796	SPOOL_REST_ROD_RUBBER_CUSHION		*		2.00
17	40096326	SPOOL_REST_ARM_LOWER_SCREW		*		1.00
18	NM6050001SE	NUT M5X0.8 TYPE1		*		2.00
19	40096327	SPOOL_REST_ARM_UPPER_SCREW		*		1.00
20	NM6050001SE	NUT M5X0.8 TYPE1		*		2.00
21	WS0510002KN	SPRING_WASHER_M5		*		2.00
22	WP0531001SC	WASHER_M5		*		2.00
23	SM4051405SE	SCREW_M5_L=14		*		2.00
24	NM6050001SE	NUT M5X0.8 TYPE1		*		2.00
25	40192325	THREAD_GUIDE_4		*		1.00
26	40106579	THREAD_GUIDE_ARM_BASE		*		1.00
27	NM6040002SC	NUT_M4X0.7 TYPE2		*		4.00
28	SM4042501SC	SCREW_M4X0.7_L=25		*		1.00
29	SM4041201SC	SCREW_M4X0.7_L=12		*		3.00
30	40192414	THREAD_GUIDE_UNDER_BASE		*		1.00
31	40106576	THREAD_GUIDE_ARM		*		1.00

ACCESSORIE PARTS COMPONENTS



No.	品番	品名	備考	子部品	消耗品	個数
1	B1806210D00	BOBBIN				1.00
2	40044920	HEAD GRIP				1.00
3	40215633	COVER SHEET 2516	FOR 2516			1.00
4	40215632	COVER SHEET 3020	FOR 3020			1.00
5	MDP500B1402	NEEDLE DPX5 #14-2	TYPE S(GENERAL EXPORT)			1.00
6	MDP170B1802	NEEDLE DPX17 #18-2	TYPE H(GENERAL EXPORT)			1.00
7	MDP170B2302	NEEDLE DPX17 #23-2	TYPE G			1.00
8	MC372001102	NEEDLE SY3355 NM110-2/DPX17 #18-2	TYPE H(JE)			1.00
9	MC372001602	NEEDLE SY3355 NM160-2/DPX17 #23-2	TYPE G(JE)			1.00
10	22933204	SCREW DRIVER				1.00
11	B9113012000	WRENCH (9X10)				1.00
12	B9140372000	HEXAGONAL WRENCH				1.00
13	40032763	HEXAGONAL_DRIVER(1.5)				1.00
14	B91212200A0	OILER (CONTAINING NO.2 OIL)				1.00
15	22933105	SCREW DRIVER				1.00
16	40072154	COVER				1.00
17	B1131528000	FELT				1.00
18	10102200	THREAD GUIDE F				1.00
19	SM6040860TP	SCREW M4 L=8				1.00
20	B9101490000	DRIVER				1.00
21	22932800	ACCESSORIE BAG				1.00
22	PJ303040002	STRAIGHT UNION 4				4.00
23	EA9500B0100	CABLE BAND				1.00
24	40097886	GREASE				1.00
25	40139091	DUST_BAG				1.00
26	SL6061692TN	SCREW M6 L=16	FOR 3020			16.00
27	SL9061291SE	SCREW M6 L=12	FOR 2516			4.00
28	SM1040650TP	SCREW	FOR 3020			2.00
29	SM1040870TP	SCREW	FOR 2516			2.00
30	SM9050850SP	SCREW				1.00
31	WP0520656SA	WASHER 5.2X9.5X0.6				1.00
32	40097301	SILICONE OIL TANK ASM	TYPE G(JA)			1.00
33	40207154	NEEDLE HOLE GUIDE D=3	TYPE G(JA)			1.00
34	PF070501000	MINIATURE DECOMPRESSION VALVE	TYPE G(JA)			1.00
35	PJ301040505	HALF UNION	TYPE G(JA)			1.00
36	PV150209100	SOLENOID VALVE	TYPE G(JA)			1.00
37	40013640	JUKI_GREASE_B_TUBE				1.00
38	40036110	GREASE_JOINT_B				1.00
39	SL6084092TN	SCREW M8 L=40				1.00
40	40006323	JUKI GREASE A TUBE				1.00

OPTIONAL PARTS



No.	品番	品名	備考	子部品	消耗品	個数
1	40035093	PLASTIC_BLANK_2516	FOR 221FHS			1.00
2	40035094	PLASTIC_BLANK_3020	FOR 3020			1.00
3	40035092	INSTALLING_PIN	FOR 221FHS			2.00
4	40051836	INSTALLING_PIN	FOR 3020			2.00
5	SM1040650TP	SCREW	FOR 221FHS,3020			2.00
6	B2564223C00	SPONGE				1.00
7	PJ309520001	SOCKET				1.00
8	PB000010000	HOSE BAND				1.00
9	B9141372000	HEXAGONAL WRENCH LARGE				1.00
10	GCT02906000	HEXAGONAL SPANNER				1.00
11	B2591220000	RUBBER SHEET				1.00
12	40035095	PLASTIC_BLANK_2516L	FOR 221FHL,221FSL			4.00
13	SM1041201SC	SCREW M4 L=12	FOR 221FHL,221FSL			6.00
14	WP0430801SC	WASHER 4.3X9X0.8	FOR 221FHL,221FSL			6.00
15	NM6040001SC	NUT M4	FOR 221FHL,221FSL			6.00
16	SM4040455SP	SCREW	FOR 221FHL,221FSL			4.00
17	22933006	SCREW DRIVER LARGE				1.00
18	40196061	NEEDLE HOLE GUIDE D=1.6				1.00
19	40196067	NEEDLE HOLE GUIDE D=2.0				1.00
20	40196071	NEEDLE HOLE GUIDE D=2.4				1.00
21	40196074	NEEDLE HOLE GUIDE D=3.0				1.00
22	40207154	NEEDLE HOLE GUIDE D=3.0				1.00
23	40213021	NEEDLE HOLE GUIDE D=3.0				1.00
24	40207153	NEEDLE HOLE GUIDE D=1.6				1.00
25	14103253	INNER HOOK PRESSER ASM.				1.00
26	14103352	INNER HOOK PRESSER ASM.				1.00
27	14103659	SHUTTLE RACE RING ASM.				1.00
28	B1817210DAD	SHUTTLE RACE RING ASM.				1.00
29	40023632	INTERMEDIATE PRESSER A				1.00
30	B1601210D0BA	INTERMEDIATE PRESSER B				1.00
31	B1601210D0CA	INTERMEDIATE PRESSER C				1.00
32	B1601210D0E	INNER PRESSER E				1.00
33	B1601210D0FA	INNER PRESSER F				1.00
34	40218950	LOWER_PLATE_EXTEND_SET_3020	FOR 3020			1.00
35	40201532	LOWER_PLATE_EXTEND_PLATE		*		1.00
36	B151902600G	HINGE STUD		*		2.00
37	SM6060802TP	SCREW M6 L=8		*		2.00
38	WS0610002KN	SPRING WASHER M6		*		2.00
39	WP0611626SP	WASHER 15X6X1.6		*		2.00
40	40097301	SILICONE OIL TANK ASM				1.00
41	40218951	LOWER_PLATE_EXTEND_SET_2516	FOR 2516			1.00
42	40201533	LOWER_PLATE_EXTEND_PLATE		*		1.00
43	B151902600G	HINGE STUD		*		2.00
44	SM6060802TP	SCREW M6 L=8		*		2.00

45	WS0610002KN	SPRING WASHER M6		*		2.00
46	WP0611626SP	WASHER 15X6X1.6		*		2.00

HOW TO MAKE USE OF THIS PARTS LIST

- 1.As to "#01" and "#02" refer to the "Note" given at the bottom of the respective pages.
- 2.Codes on the "Qty" column
 - Each numeral indicates the number of parts required.
 - "0.1" and "2.5" indicate the length (in meters) of the respective parts.
- 3.Parentheses mean that the corresponding part is a subpart that constructs an assembly part.
- 4.Dotted lines on the Figures indicate assembly parts.
- 5.As to the parts with marks of "☆"(Consumable parts)and "◎"(optional parts)on the respectie parts, it is recommended to prepare spares.

1. リストページの# 0 1、# 0 2の印は、ページ下の"注記"の説明を参照下さい。
2. 数量欄の数字は、個数を表し、0. 1、2. 5等の数値は、長さ（単位メートル）を表します。
3. 数量欄の（ ）は、組部品を構成している子部品であることを意味します。
4. イラストページの-----枠は、組構成であることを意味します。
5. リストページの"☆"（消耗部品）、"◎"（オプション部品）の印が付いた部品は、予備を準備しておくことをお奨めします。